

# DAYTON® SPECIFICATIONS

## Dayton® Elite Single Bowl Sink with Slim Rim Model DSESR12722

### GENERAL

Sink is formed of #20 (.9mm) gauge, 300 series nickel-bearing stainless steel. Universal mount.

### DESIGN FEATURES

**Slim Rim:** Ultra thin edge that virtually eliminates the barrier between the sink and countertop, allowing for a universal (top or undermount) installation option.

**Bowl Depths:** 8" (203mm).

**Coved Corners:** 1-3/4" (44mm) horizontal and vertical radii.

**Finish:** Exposed surfaces are polished to an Elite Satin finish.

**Underside:** Fully undercoated to reduce condensation and dampen sound.

### OTHER

**Drain opening:** 3-1/2" (89mm)

Sink complies with ASME A112.19.3-2008 / CSA B45.4-08.

### OPTIONAL ACCESSORIES

**Bottom Grid:** GBG2416SS

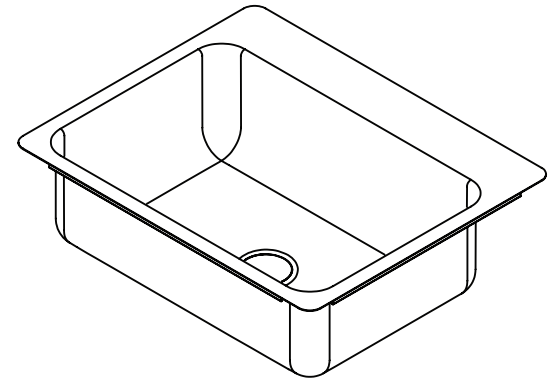
**Cutting Boards:** CB1713, CBS1316

**Drain:** D1125

**Mounting Hardware:** LK364

**Rinsing Basket:** LKWRB2416SS, LKWERBSS

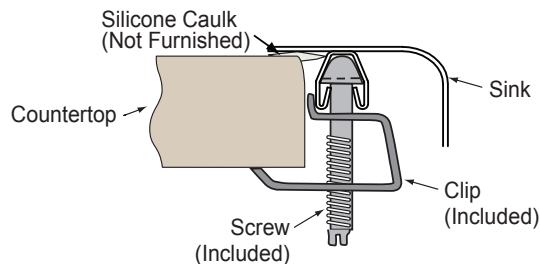
**Utensil Caddy for Rinsing Basket:** LKWUCSS



Model DSESR12722

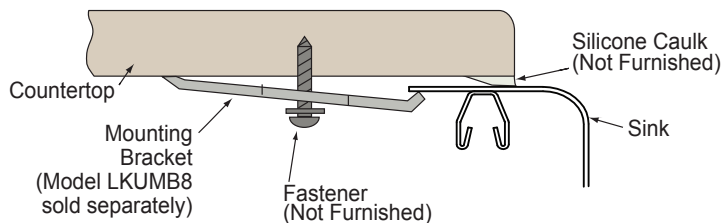


### Top Mount Installation



For countertops thicker than 3/4" up to 1-1/2", Elkay recommend using LK364.

### Undermount Installation



Designed to affix to the underside of any solid surface countertop.

In keeping with our policy of continuing product improvement, Elkay reserves the right to change product specifications without notice. Please visit [elkay.com](http://elkay.com) for the most current version of Elkay product specification sheets.

This specification describes an Elkay product with design, quality, and functional benefits to the user. When making a comparison of other producers' offerings, be certain these features are not overlooked.

# DAYTON®

## SPECIFICATIONS

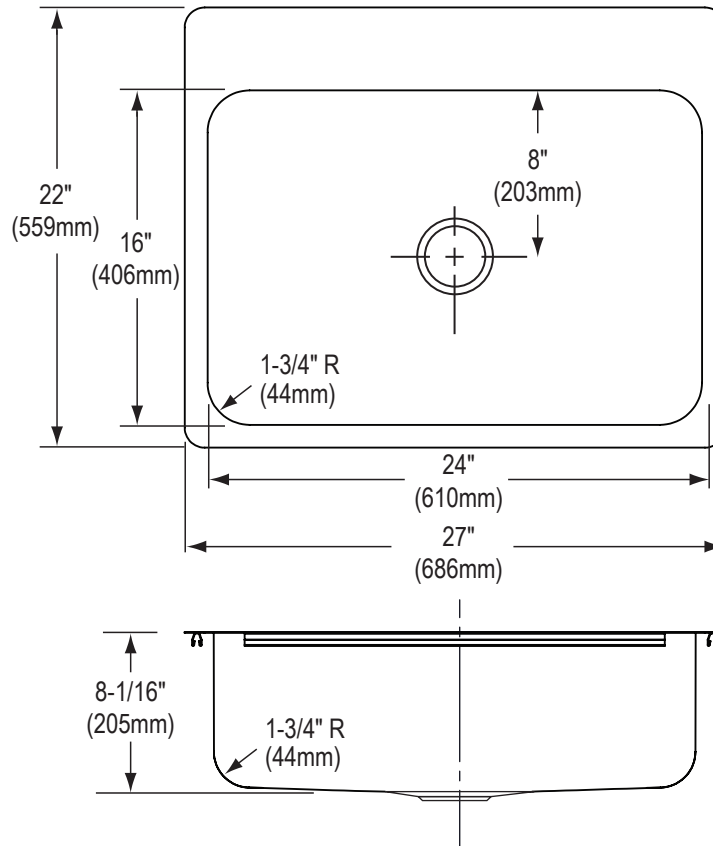
# Dayton® Elite Single Bowl Sink with Slim Rim Model DSESR12722

### SINK DIMENSIONS\*

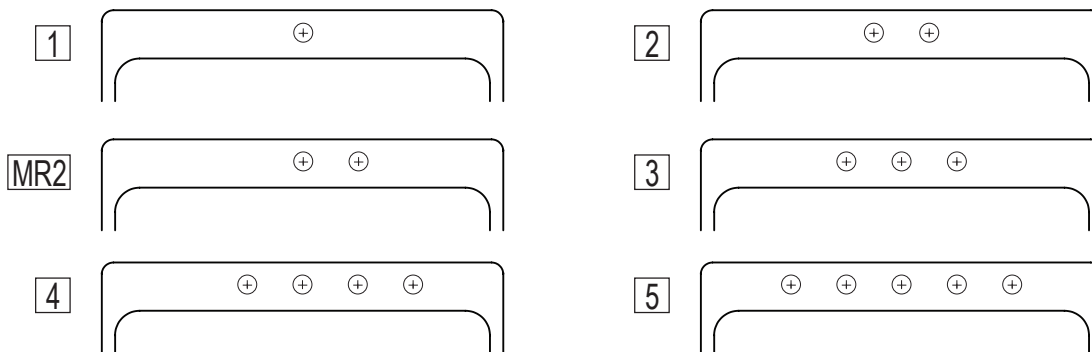
Model Number	Overall		Inside Bowl			Cutout in Countertop (1 1/2" [38mm] Radius Corners)		No. of 1 1/2" (38mm) Dia. Faucet Holes 4" (102mm) Center	Minimum Cabinet Size
	L	W	L	W	D	L	W		
DSESR12722	27 (686mm)	22 (559mm)	24 (610mm)	16 (406mm)	8 1/16 (205mm)	26 3/8 (670mm)	21 3/8 (543mm)	1, 2, MR2, 3, 4, or 5	30 (762mm)

\*Length is left to right. Width is front to back.

\*\*Template #0000000907 available on website or by ordering via customer care.



### Hole Drilling Configurations 1-1/2" (38mm) Diameter Faucet Holes



In keeping with our policy of continuing product improvement, Elkay reserves the right to change product specifications without notice. Please visit [elkay.com](http://elkay.com) for the most current version of Elkay product specification sheets.

This specification describes an Elkay product with design, quality, and functional benefits to the user. When making a comparison of other producers' offerings, be certain these features are not overlooked.