

ELKAY® SPECIFICATIONS

Gourmet Undermount Sink Model ELUH2416 Series

IMPORTANT! ELU / ELUH Update

ELUH models have been redesigned to accommodate 1/2" reveal and no reveal installation options. ELU models should be ordered as ELUH.

GENERAL

Highest quality sink formed of #18 (1.2mm) gauge, type 304 (18-8) nickel bearing stainless steel. Undermount.

DESIGN FEATURES

Bowl Depth: See chart on next page.

Coved Corners: 1-3/4" (44mm) horizontal and vertical radii.

Finish ELUH2416(10): Exposed surfaces are hand blended to a Lustrous Highlighted Satin finish.

Underside: Fully protected by Sound Guard® undercoating to reduce condensation and dampen sound.

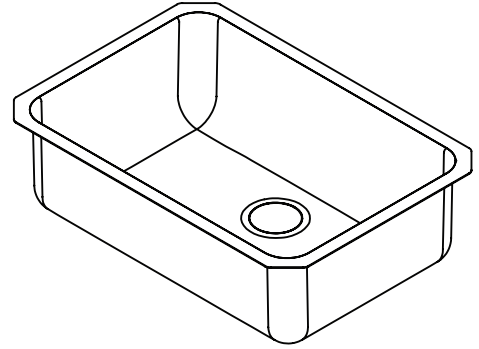
OTHER

Drain opening: 3-1/2" (89mm)

NOTE: All Elkay undermount sinks are designed to affix to the underside of any solid surface countertop.

Sink complies with ASME A112.19.3/ CSA B45.4

 Sinks are listed by IAPMO® as meeting the applicable requirements of the Uniform Plumbing Code®, International Plumbing Code®, and National Plumbing Code of Canada.



Model ELUH2416

OPTIONAL ACCESSORIES

Bottom Grid: LKWOBG2416SS

Cutting Boards: (Reveal mount only) CB1713, CBS1316

Drain: LK99

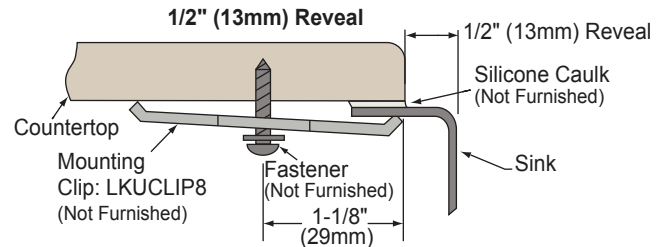
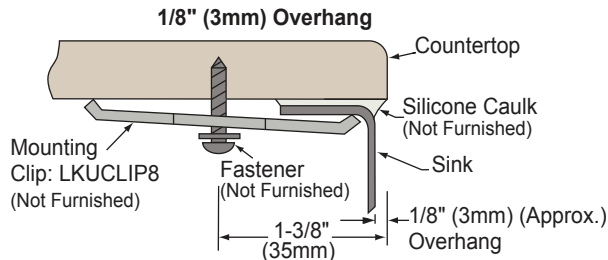
Mounting Clip: LKUCLIP8

Rinsing Basket: LKW RB2416SS, LKW ERBSS

Utensil Caddy for Rinsing Basket: LKWUCSS



Installation Profile



In keeping with our policy of continuing product improvement, Elkay reserves the right to change product specifications without notice. Please visit elkay.com for the most current version of Elkay product specification sheets.

This specification describes an Elkay product with design, quality, and functional benefits to the user. When making a comparison of other producers' offerings, be certain these features are not overlooked.

ELKAY[®]

SPECIFICATIONS

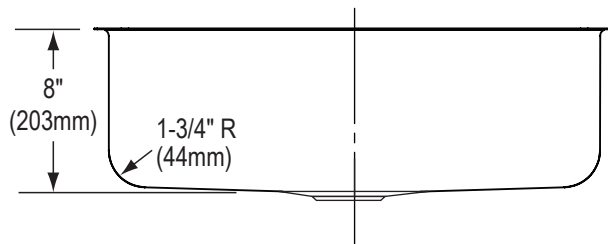
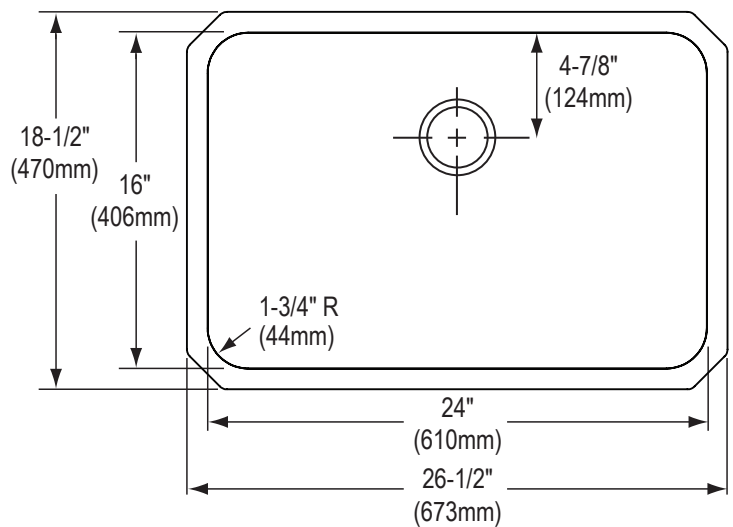
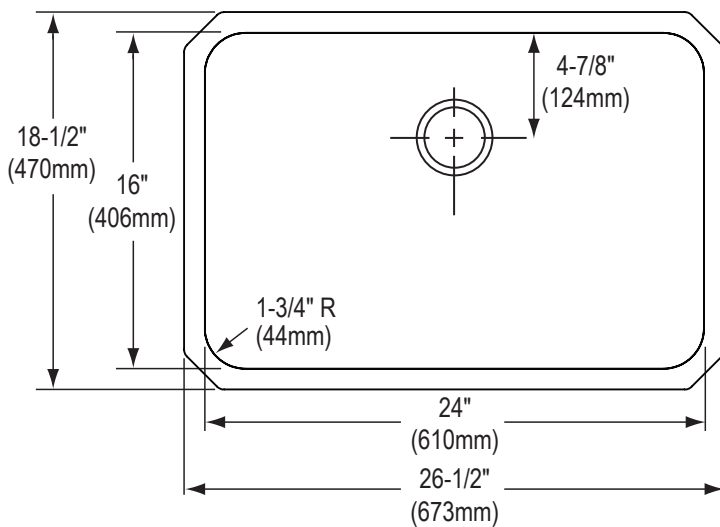
Gourmet Undermount Sink Model ELUH2416 Series

SINK DIMENSIONS*

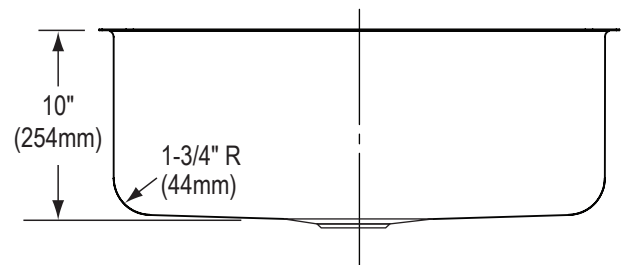
Model Number	Overall		Inside Each Bowl			Cutout in Countertop	Minimum Cabinet Size
	L	W	L	W	D		
ELUH2416	26-1/2 (673mm)	18-1/2 (470mm)	24 (610mm)	16 (406mm)	8 (203mm)	See Template**	30 (762mm)
ELUH241610	26-1/2 (673mm)	18-1/2 (470mm)	24 (610mm)	16 (406mm)	10 (254mm)		30 (762mm)

*Length is left to right. Width is front to back.

**Template #1000001376 is packed with every sink.



ELUH2416



ELUH241610

In keeping with our policy of continuing product improvement, Elkay reserves the right to change product specifications without notice. Please visit elkay.com for the most current version of Elkay product specification sheets.

This specification describes an Elkay product with design, quality, and functional benefits to the user. When making a comparison of other producers' offerings, be certain these features are not overlooked.