

ELKAY[®]

SPECIFICATIONS

Gourmet Single Bowl Sink with Slim Rim Models LSR2722 and DLSR272210

GENERAL

Highest quality sink formed of #18 (1.2mm) gauge, type 304 (18-8) nickel bearing stainless steel. Universal mount.

DESIGN FEATURES

Slim Rim: Ultra thin edge that virtually eliminates the barrier between the sink and countertop, allowing for a universal (top or undermount) installation option.

Bowl Depths: See chart on next page.

Coved Corners: 1-3/4" (44mm) horizontal and vertical radii.

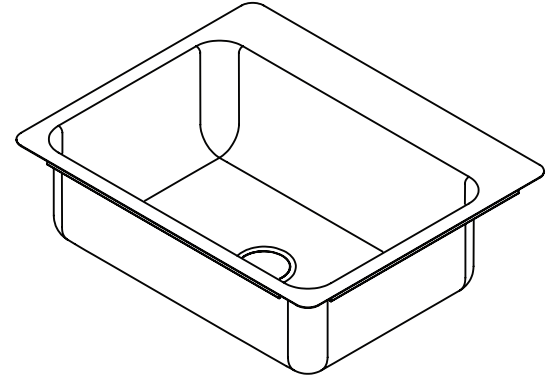
Finish: Exposed surfaces are hand polished to a Lustrous Highlighted Satin finish.

Underside: Fully protected by Sound Guard[®] undercoating to reduce condensation and dampen sound.

OTHER

Drain opening: 3-1/2" (89mm)

Sink complies with ASME A112.19.3-2008 / CSA B45.4-08.



Model LSR2722

OPTIONAL ACCESSORIES

Bottom Grid: LKWBG2416SS

Cutting Boards: CB1713, CBS1316

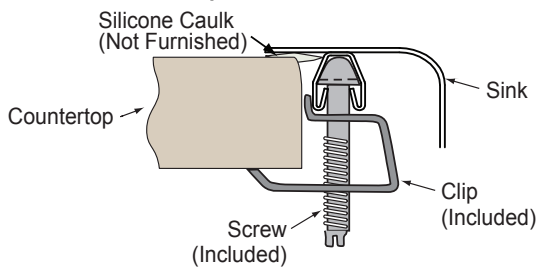
Mounting Hardware: LK364

Rinsing Basket: LKWRB2416SS, LKWERBSS

Utensil Caddy for Rinsing Basket: LKWUCSS

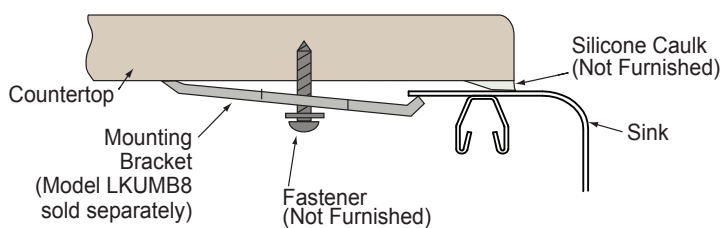


Top Mount Installation



For countertops thicker than 3/4" up to 1-1/2", Elkay recommend using LK364.

Undermount Installation



Designed to affix to the underside of any solid surface countertop.

In keeping with our policy of continuing product improvement, Elkay reserves the right to change product specifications without notice. Please visit elkayusa.com for most current version of Elkay product specification sheets.

This specification describes an Elkay product with design, quality and functional benefits to the user. When making a comparison of other producers' offerings, be certain these features are not overlooked.

ELKAY[®]

SPECIFICATIONS

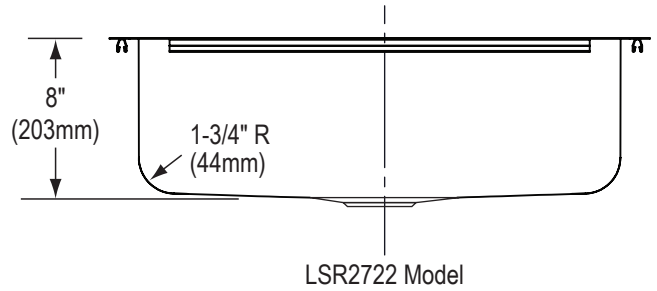
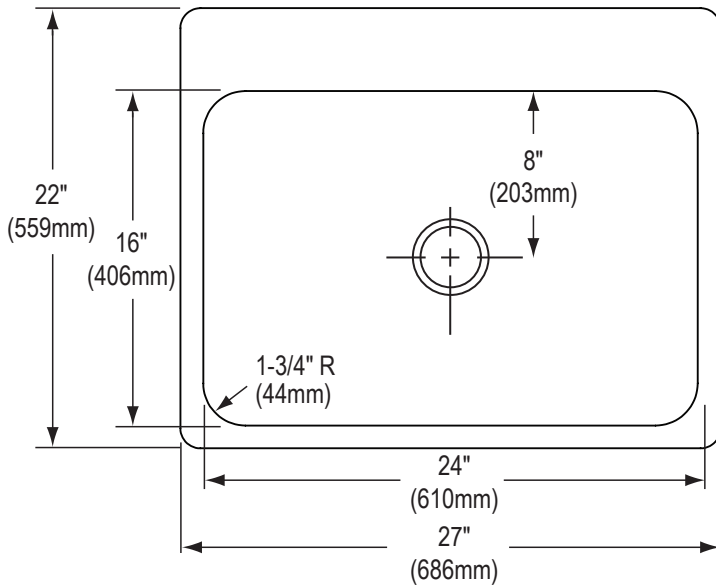
Gourmet Single Bowl Sink with Slim Rim Models LSR2722 and DLSR272210

SINK DIMENSIONS*

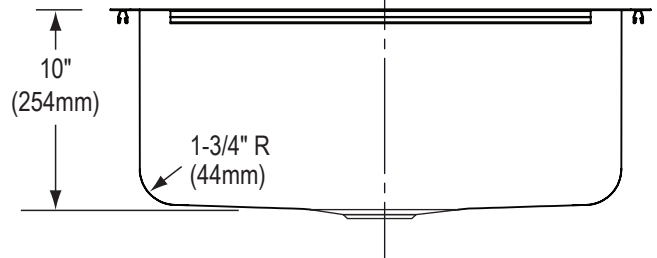
Model Number	Overall		Inside Bowl			Cutout in Countertop (1 1/2" [38mm] Radius Corners)		No. of 1 1/2" (38mm) Dia. Faucet Holes 4" (102mm) Center	Minimum Cabinet Size
	L	W	L	W	D	L	W		
LSR2722	27 (686mm)	22 (559mm)	24 (610mm)	16 (406mm)	8 (203mm)	26-3/8 (670mm)	21-3/8 (543mm)	1, 2, MR2, 3 4, or 5	30 (762mm)
DLSR272210	27 (686mm)	22 (559mm)	24 (610mm)	16 (406mm)	10 (254mm)	26-3/8 (670mm)	21-3/8 (543mm)	1, 2, MR2, 3 4, or 5	30 (762mm)

*Length is left to right. Width is front to back.

**Template #0000000907 available on website or by ordering via customer care.

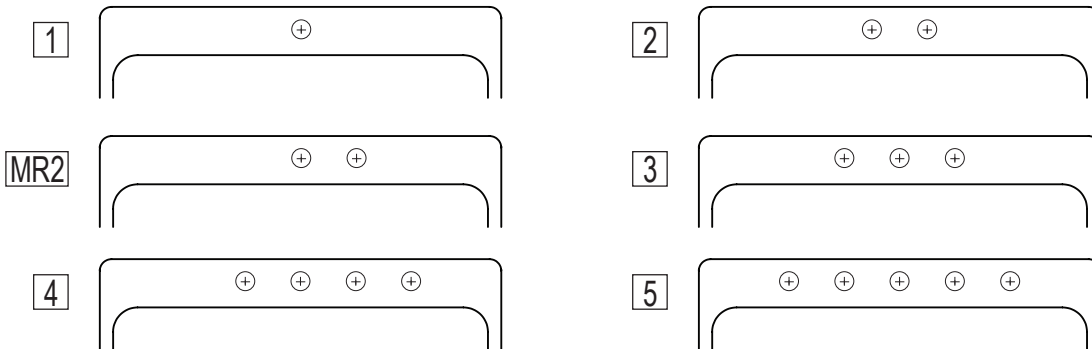


LSR2722 Model



DLSR272210 Model

Hole Drilling Configurations 1-1/2" (38mm) Diameter Faucet Holes



In keeping with our policy of continuing product improvement, Elkay reserves the right to change product specifications without notice. Please visit elkayusa.com for most current version of Elkay product specification sheets.

This specification describes an Elkay product with design, quality and functional benefits to the user. When making a comparison of other producers' offerings, be certain these features are not overlooked.