

DAYTON® SPECIFICATIONS

Dayton® Premium Single Bowl Sink Model DPC12522 Series

GENERAL

Sink is formed of #20 (1mm) gauge, 300 series nickel-bearing stainless steel. Top mount.

DESIGN FEATURES

Bowl Depth: 8-1/4" (210mm) (DPC12522)
 9-1/8" (232mm) (DPC125229)
 10-1/4" (260mm) (DPC1252210)

Rim Height: 1/4" (6.3mm)

Coved Corners: 3" (76mm) vertical and 2-1/4" (57mm) horizontal radius

Finish: Exposed surfaces are polished to a Premium Highlighted Satin finish.

Underside: Fully undercoated to dampen sound and reduce condensation.

OTHER

Drain Opening: 3-1/2" (89mm)

OPTIONAL ACCESSORIES

Bottom Grid: GBG2115SS

Cutting Boards: CB1516

Drain: D1125

Rinsing Baskets: LKWRB2115SS, LKWERBSS

Utensil Caddy: LKWUCSS

Sink complies with ASME A112.19.3/ CSA B45.4



Sinks are listed by IAPMO® as meeting the applicable requirements of the Uniform Plumbing Code®, International Plumbing Code®, and National Plumbing Code of Canada.

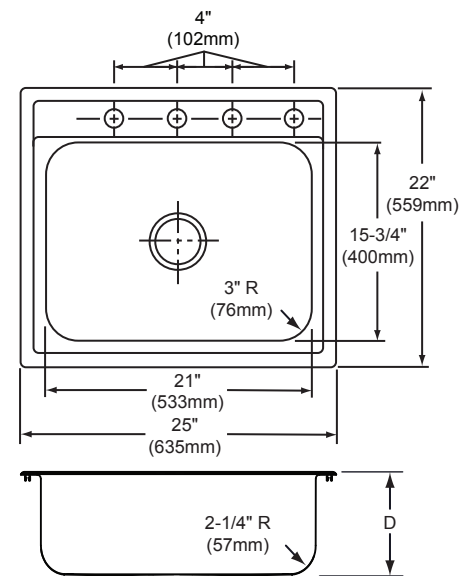
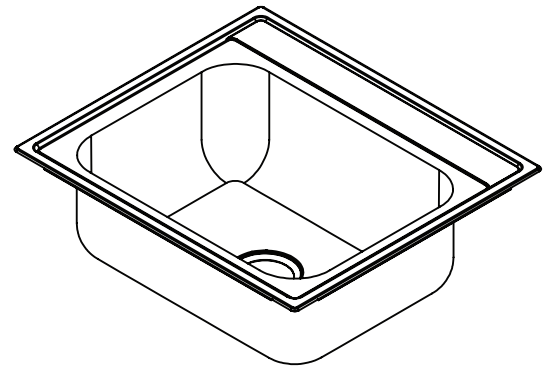
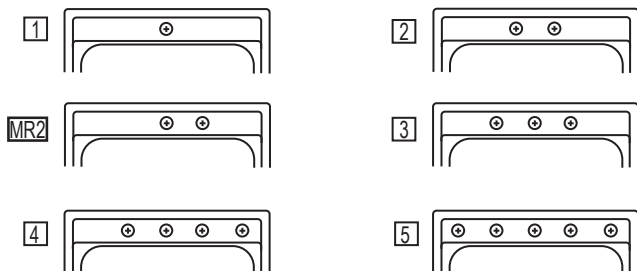
SINK DIMENSIONS (INCHES)*

Model Number	Overall		Inside Bowl			Cutout in Countertop (1-1/2" (38mm) Radius Corners)		No. of 1-1/2" (38mm) Dia. Faucet Holes	Minimum Cabinet Size
	L	W	L	W	D	L	W		
DPC12522	25 (635mm)	22 (559mm)	21 (533mm)	15-3/4 (400mm)	8-1/4 (210mm)	24-3/8 (619mm)	21-3/8 (543mm)	1, 2, MR2 3, 4, or 5	30 (762mm)
DPC125229	25 (635mm)	22 (559mm)	21 (533mm)	15-3/4 (400mm)	9-1/8 (232mm)	24-3/8 (619mm)	21-3/8 (543mm)	1, 2, MR2 3, 4, or 5	30 (762mm)
DPC1252210	25 (635mm)	22 (559mm)	21 (533mm)	15-3/4 (400mm)	10-1/4 (260mm)	24-3/8 (619mm)	21-3/8 (543mm)	1, 2, MR2 3, 4, or 5	30 (762mm)

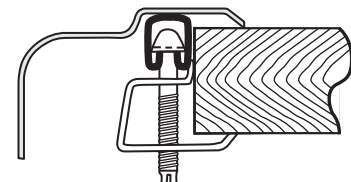
*Length is left to right. Width is front to back.

Hole Drilling Configurations

1-1/2" (38mm) Diameter Faucet Holes on 4" (102mm) Centers



U-Channel Type Mounting System



In keeping with our policy of continuing product improvement, Elkay reserves the right to change product specifications without notice. Please visit elkayusa.com for most current version of Elkay product specification sheets.

This specification describes an Elkay product with design, quality and functional benefits to the user. When making a comparison of other producers' offerings, be certain these features are not overlooked.