

# DAYTON® SPECIFICATIONS

## Dayton® Premium Double Bowl Sink with Slim Rim Model DPXSR2250R

### GENERAL

Highest quality sink formed of #18 (1.2mm) gauge, 300 series (18-8) nickel bearing stainless steel. Universal mount.

### DESIGN FEATURES

**Slim Rim:** Ultra thin edge that virtually eliminates the barrier between the sink and countertop, allowing for a universal (top or undermount) installation option.

**Bowl Depth:** 8" (203mm)

**Coved Corners:** 1-3/4" (44mm) horizontal radius and 1-3/4" (44mm) and 2" (51mm) vertical radii.

**Finish:** Exposed surfaces are hand polished to a Premium Satin finish.

**Underside:** Fully undercoated to reduce condensation and dampen sound.

### OTHER

**Drain opening:** 3-1/2" (89mm)

Sink complies with ASME A112.19.3/ CSA B45.4

 Sinks are listed by IAPMO® as meeting the applicable requirements of the Uniform Plumbing Code®, International Plumbing Code®, and National Plumbing Code of Canada.

### OPTIONAL ACCESSORIES

**Bottom Grid:** GOBG1819SS (large bowl), GOBG1118SS (small bowl)

**Cutting Board:** LKCB1520LTHW (large bowl, top mount),

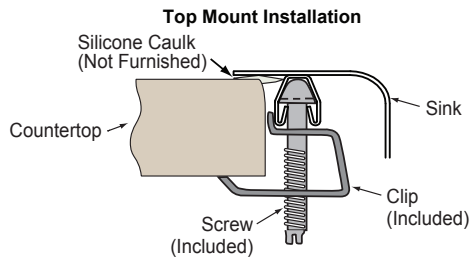
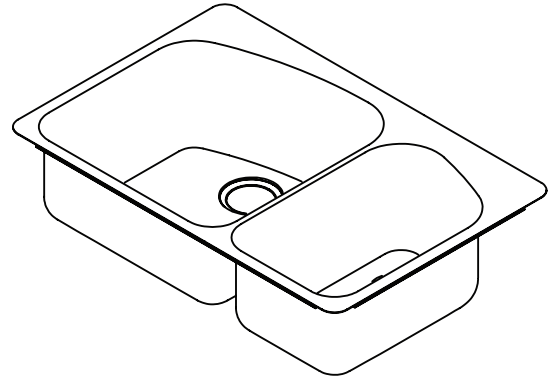
LKCB1520LUHW (large bowl, undermount)

**Drain:** D1125

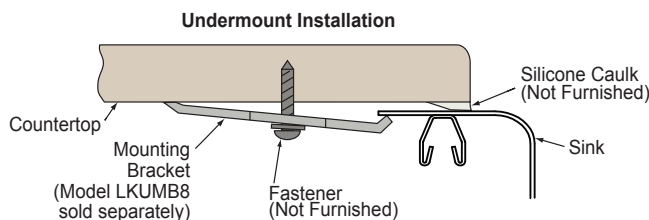
**Mounting Hardware:** LK364

**Rinsing Basket:** LKWRB1819SS (large bowl), LKWERBSS (large bowl)

**Utensil Caddy for Rinsing Basket:** LKWUCSS



For countertops thicker than 3/4" up to 1-1/2", Elkay recommend using LK364.



Designed to affix to the underside of any solid surface countertop.

*In keeping with our policy of continuing product improvement, Elkay reserves the right to change product specifications without notice. Please visit [elkayusa.com](http://elkayusa.com) for most current version of Elkay product specification sheets.*

*This specification describes an Elkay product with design, quality and functional benefits to the user. When making a comparison of other producers' offerings, be certain these features are not overlooked.*

# DAYTON<sup>®</sup>

## SPECIFICATIONS

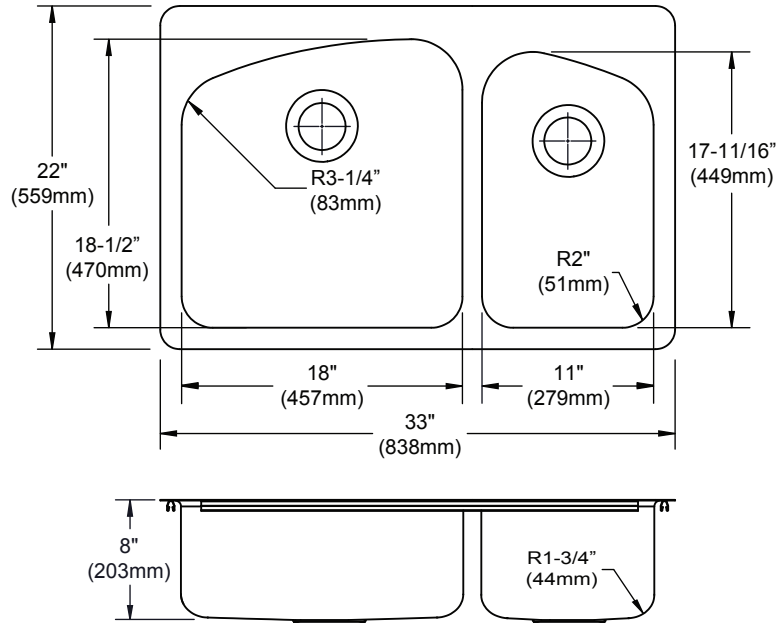
### Dayton<sup>®</sup> Premium Double Bowl Sink with Slim Rim Model DPXSR2250R

#### SINK DIMENSIONS\*

Model Number	Overall		Inside Left Bowl			Inside Right Bowl			Cutout in Countertop (1 1/2" [38mm] Radius Corners)		No. of 1 1/2" (38mm) Dia. Faucet Holes 4" (102mm) Center	Minimum Cabinet Size
	L	W	L	W	D	L	W	D	L	W		
DPXSR2250R	33 (838mm)	22 (559mm)	18 (457mm)	18-1/2 (470mm)	8 (203mm)	11 (279mm)	17-11/16 (449mm)	8 (203mm)	32-3/8 (822mm)	21-3/8 (543mm)	1, 2L, 2R, or 3	36 (914mm)

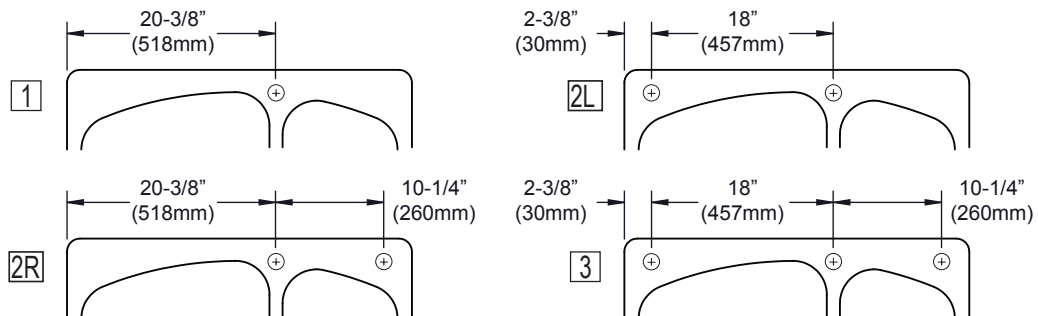
\*Length is left to right. Width is front to back.

\*\*Template #000000908 available on website or by ordering via customer care.



#### Hole Drilling Configurations

1-1/2" (38mm) Diameter Faucet Holes



In keeping with our policy of continuing product improvement, Elkay reserves the right to change product specifications without notice. Please visit [elkayusa.com](http://elkayusa.com) for most current version of Elkay product specification sheets.

This specification describes an Elkay product with design, quality and functional benefits to the user. When making a comparison of other producers' offerings, be certain these features are not overlooked.