

DAYTON SPECIFICATIONS

Dayton® A.D.A. Compliant Sink Models GE12522, GE12522L, And GE12522R

GENERAL

Sink is formed of #22 (.8mm) gauge, 300 series, nickel-bearing stainless steel. Top mount.

DESIGN FEATURES

Bowl Depth: 5-3/8" (137mm).

Coved Corners: 3" (76mm) vertical and 2-1/4" (57mm) horizontal radius.

Finish: Exposed surfaces are polished to a satin finish.

Underside: Undercoated on bottom of bowls.

OTHER

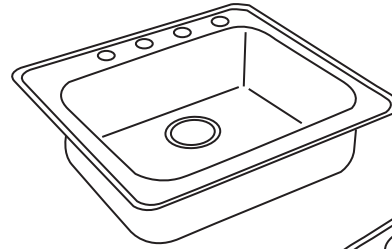
Drain Opening: 3-1/2" (89mm).

Suffix L (left) or R (right) denotes location of the drain.

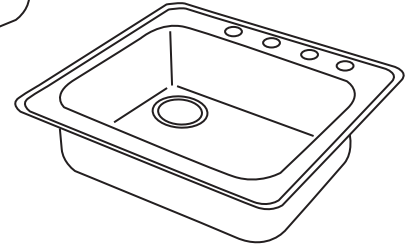
Sink complies with ASME A112.19.3-2008 / CSA B45.4-08.



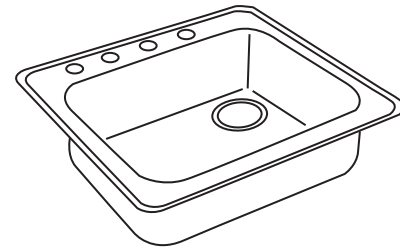
These sinks are compliant to ADA and ANSI/ICC A117.1 accessibility requirements when installed according to the requirements outlined in these standards.



Model GE125224



Model GE12522L4



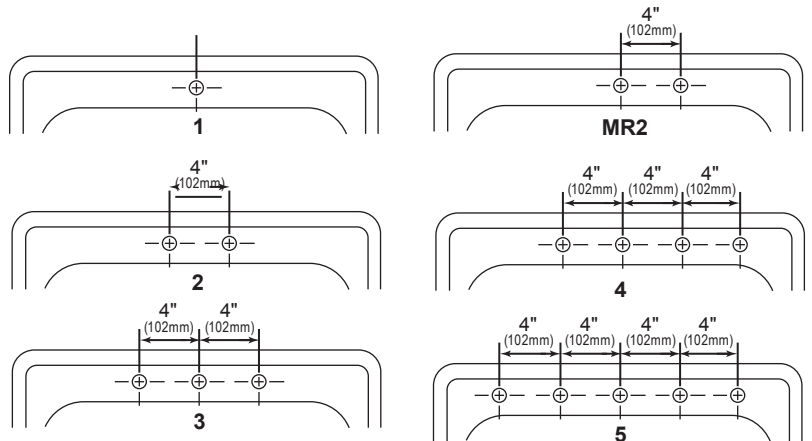
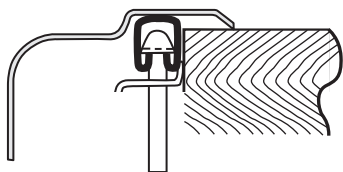
Model GE12522R4



HOLE DRILLING CONFIGURATION

1-1/2" (38mm) Diameter Faucet Holes on 4" (102mm) Centers

U-Channel Type Mounting System



SEE OTHER SIDE FOR PRODUCT DIMENSIONS.

In keeping with our policy of continuing product improvement, Elkay reserves the right to change product specifications without notice. Please visit elkayusa.com for most current version of Elkay product specification sheets.

This specification describes an Elkay product with design, quality, and functional benefits to the user. When making a comparison of others producers offerings, be certain these features are not overlooked.

Elkay

elkayusa.com

2222 Camden Court
Oak Brook, IL 60523

©2013 Elkay

(Rev. 2/13) 2-42H

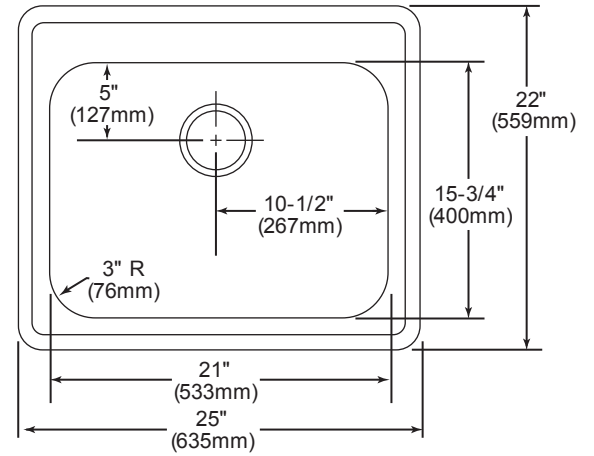
Dayton® A.D.A. Compliant Sink
Models GE12522, GE12522L,
And GE12522R

DAYTON
SPECIFICATIONS

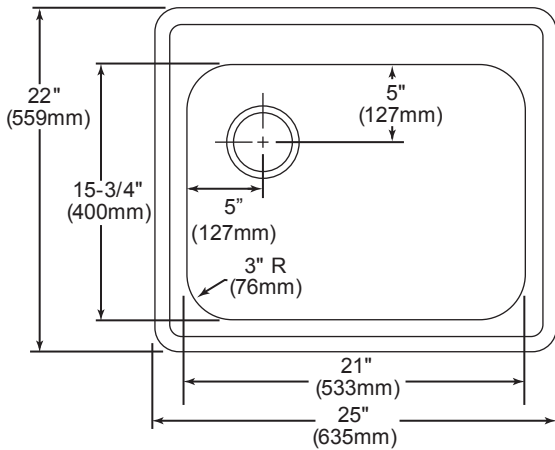
SINK DIMENSIONS*

Model Number	Overall		Inside Each Bowl			Cutout in Countertop (1 1/2" [38mm] Radius Corners)		No. of 1 1/2" (38mm) Dia. Faucet Holes	Minimum Cabinet Size
	L	W	L	W	D	L	W		
GE12522	25 (635mm)	22 (559mm)	21 (533mm)	15 3/4 (400mm)	5 3/8 (137mm)	24 3/8 (619mm)	21 3/8 (543mm)	1,2,3,4 5,MR2	30 (762mm)
GE12522L	25 (635mm)	22 (559mm)	21 (533mm)	15 3/4 (400mm)	5 3/8 (137mm)	24 3/8 (619mm)	21 3/8 (543mm)	1,2,3,4 5,MR2	30 (762mm)
GE12522R	25 (635mm)	22 (559mm)	21 (533mm)	15 3/4 (400mm)	5 3/8 (137mm)	24 3/8 (619mm)	21 3/8 (543mm)	1,2,3,4 5,MR2	30 (762mm)

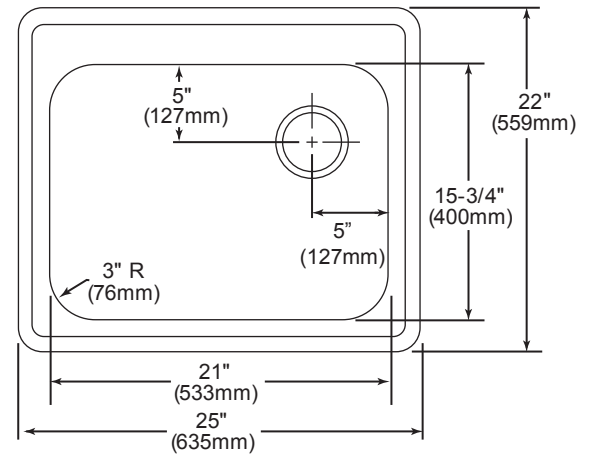
*Length is left to right. Width is front to back.



Model GE12522 Illustrated



Model GE12522L Illustrated



Model GE12522R Illustrated