



# BT100LED-12V

## 100W 12V DC POWER SUPPLY



CHROME

### FEATURES

- Constant voltage mode power supply
- No dimming
- Protection : Short circuit / Over voltage
- Integrated junction box for hard wire installation
- Fully isolated metal case
- Cooling by air convection
- 2 years warranty
- ETL certification

### SPECIFICATION

- Input voltage : 100VAC ~ 240VAC  $\pm 10\%$  @ 60Hz
- Output power : ..... max 100W
- Output voltage : ..... 12VDC  $\pm 5\%$
- Output current : ..... max 8.33A
- Load range : ..... 0% ~ 100%
- Protection : ..... Short circuit / Over voltage

### MECHANICAL AND THERMAL

- Operating temperature : ..... -20°C ~ 45°C
- Case temperature max : ..... 80°C
- Dimension : ..... 10.875" X 2.75" X 1.375"  
27.6cm X 6.8cm X 3.5cm
- Primary cable : ..... 3x 18AWG
- Secondary cable : ..... 2x 16AWG

### CERTIFICATION AND WARRANTY



- Approval : ETL #4004127
- Conforms to the UL 8750 for safety regulation.  
UL # E350936
- 2 years warranty

### INCLUDED

- Instruction sheet
- Murette
- Strain relief
- Fixation screws



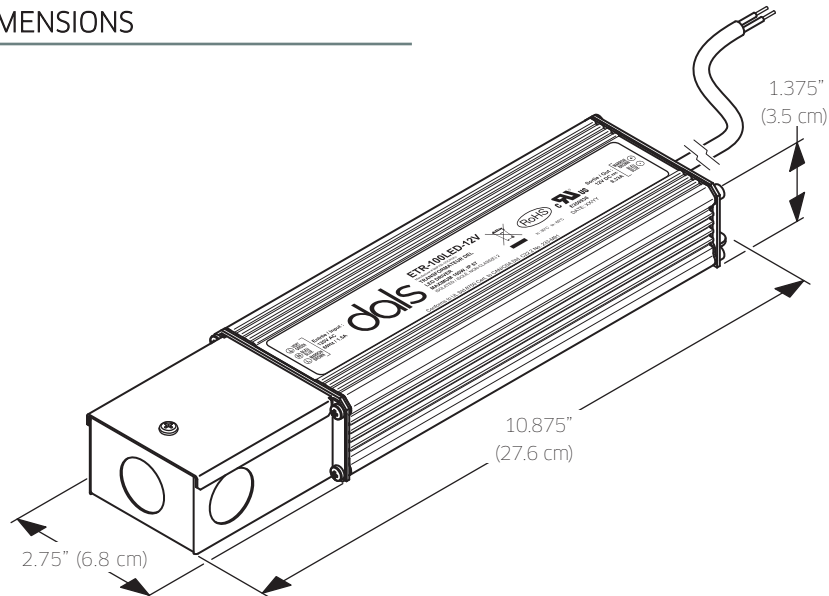
**DALS LIGHTING INC.**  
30 Rolland Briere, suite 104, Blainville QC J7C 5R8  
TEL: 450-430-1818 FAX: 450-430-1850  
[www.dalslighting.com](http://www.dalslighting.com)



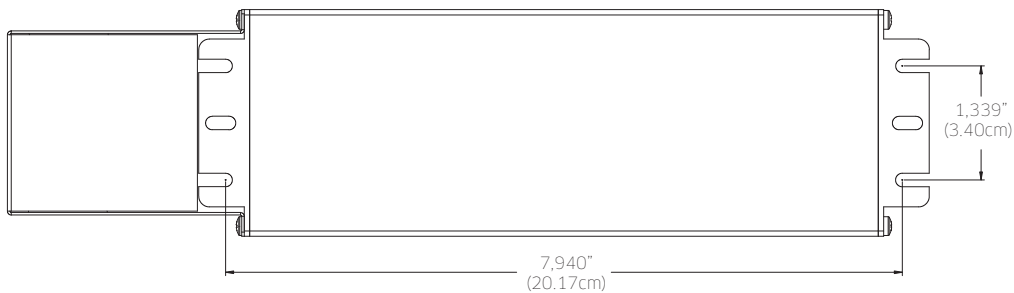
# BT100LED-12V

## 100W 12V DC POWER SUPPLY

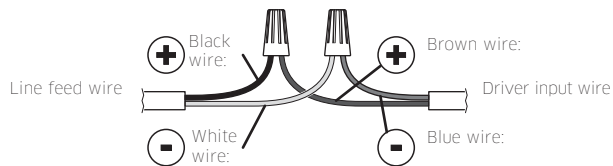
### PHYSICAL DIMENSIONS



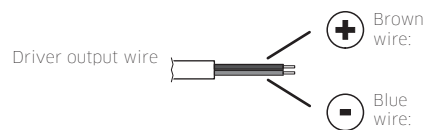
### HOLE POSITION



### INPUT CONNECTION



### OUTPUT CONNECTION



**DALS LIGHTING INC.**  
30 Rolland Briere, suite 104, Blainville QC J7C 5R8  
TEL: 450-430-1818 FAX: 450-430-1850  
[www.dalslighting.com](http://www.dalslighting.com)