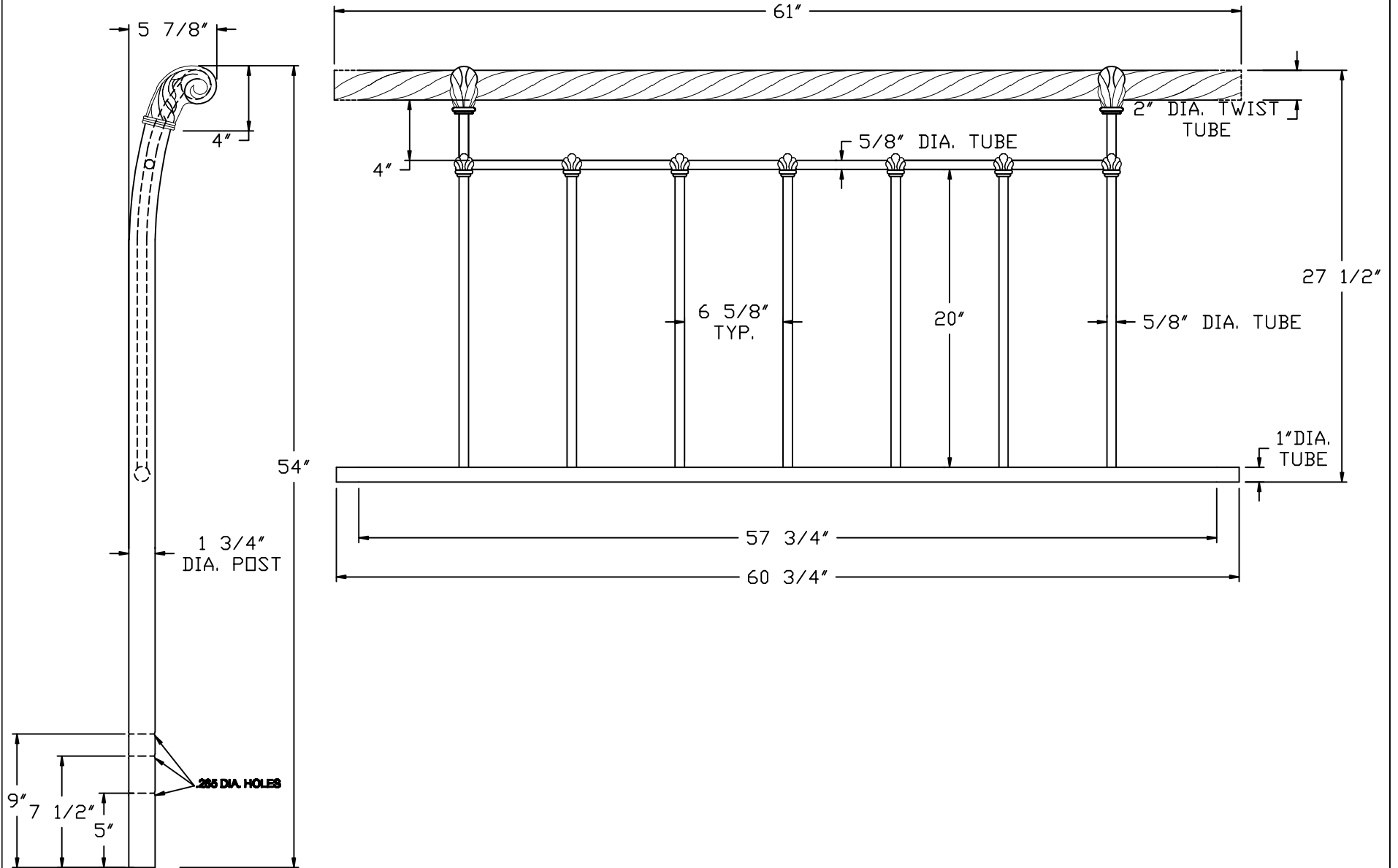


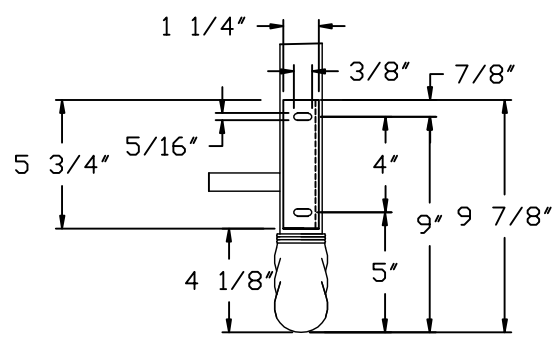
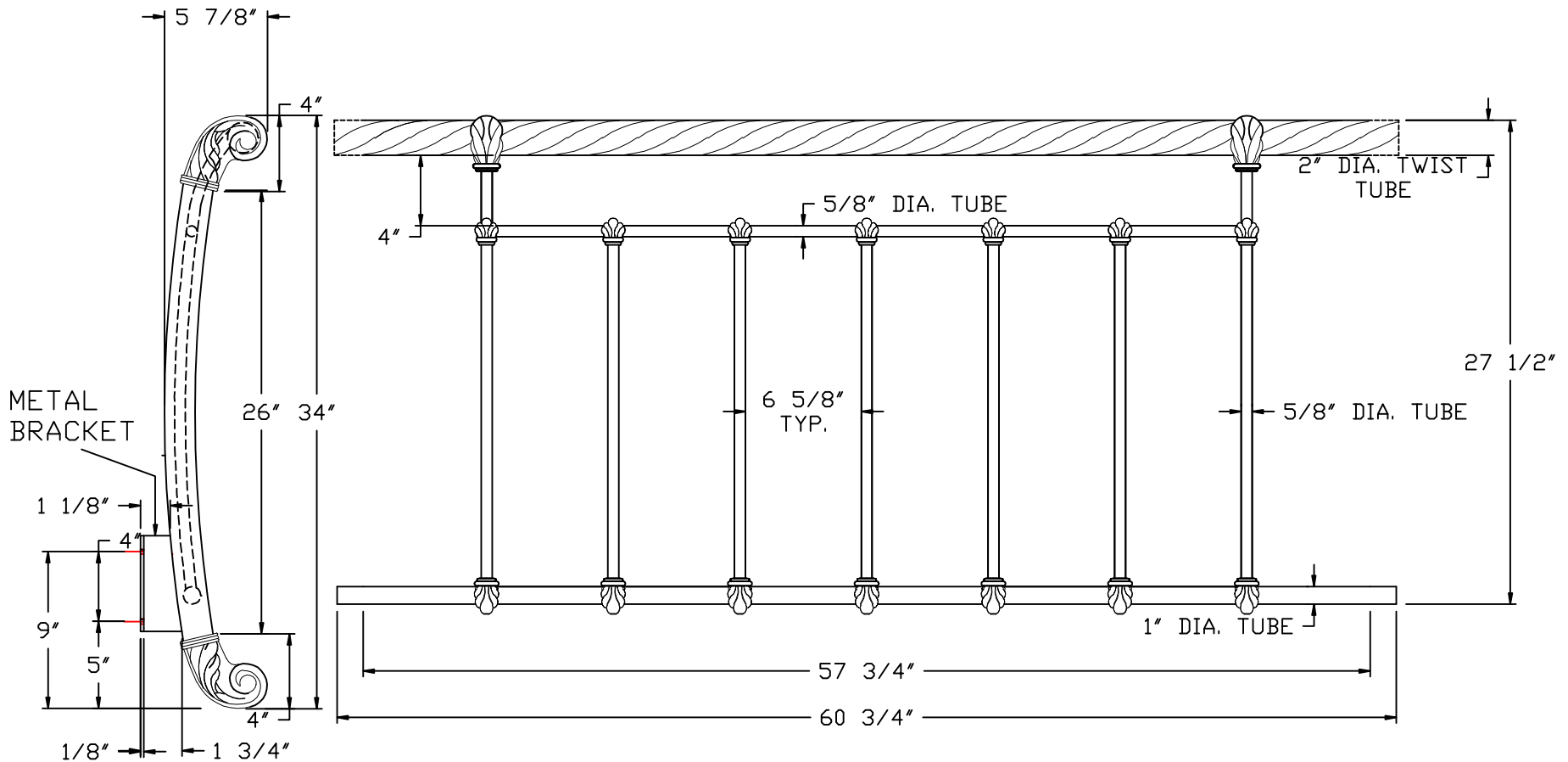


# HEADBOARD PANEL





# FOOTBOARD PANEL



# FASHION BED GROUP

## PRODUCT DATA SHEET

STYLE 420009 (5/0 & 6/6)

DESCRIPTION L&P ENGINEERED FRAME

DOMESTIC X

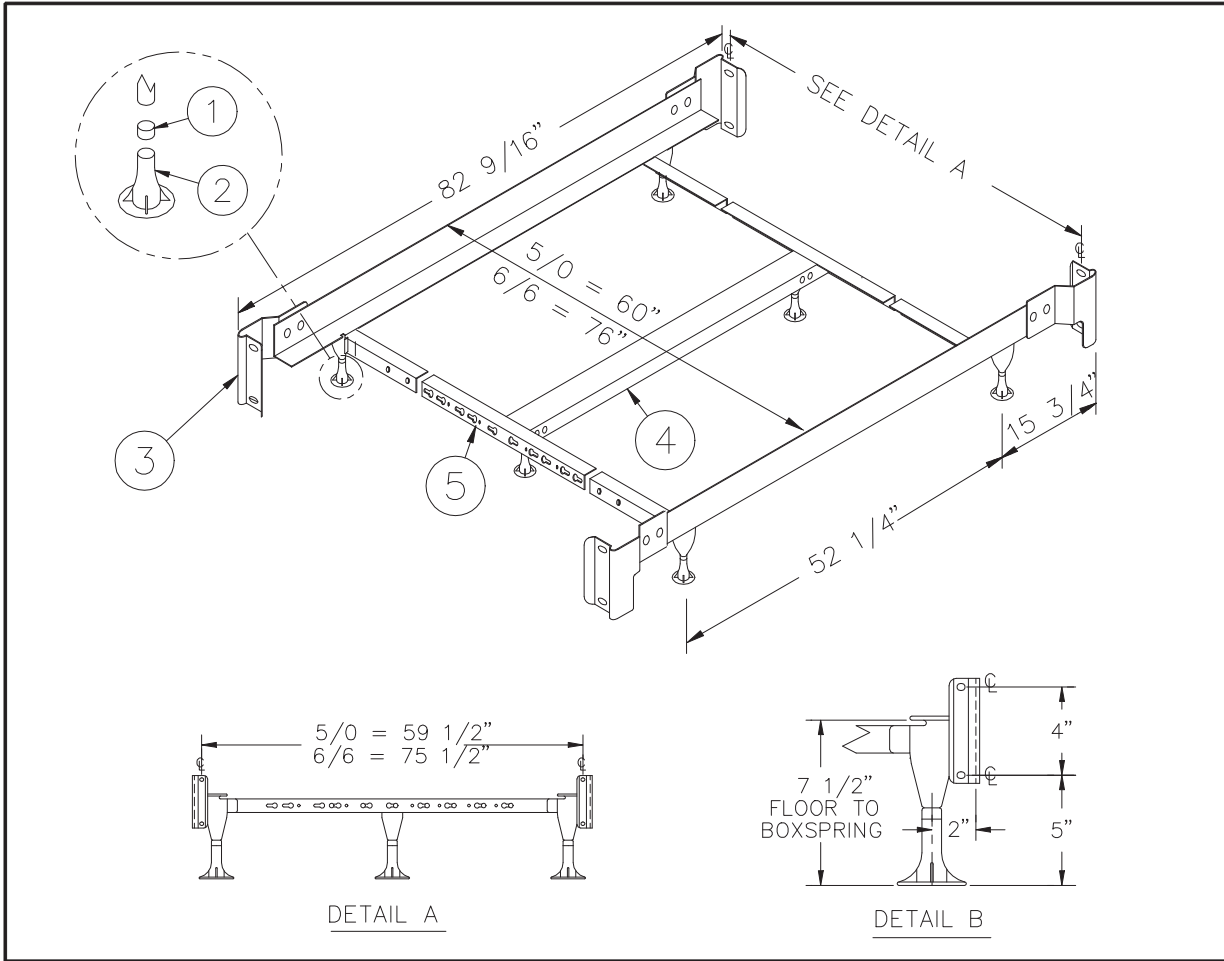
IMPORT \_\_\_\_\_

5950 W. 51st STREET  
CHICAGO IL. 60638

SIZES SHOWN

ISSUE C 3/3 X 5/0 X

DATE 8-5-93 4/6 X 6/6 X



| #   | DESCRIPTION         |                           |
|-----|---------------------|---------------------------|
| 1   | BRASS CAP           |                           |
| 2   | PLASTIC FOOT        |                           |
| 3   | SIDE RAIL ASSEMBLY  |                           |
| 4   | CENTER SUPPORT RAIL |                           |
| 5   | CENTER CROSS MEMBER |                           |
|     |                     |                           |
|     |                     |                           |
|     |                     |                           |
|     |                     |                           |
|     |                     |                           |
|     |                     |                           |
|     |                     |                           |
|     |                     |                           |
|     |                     |                           |
|     |                     |                           |
|     |                     |                           |
|     |                     |                           |
|     |                     |                           |
|     |                     |                           |
|     |                     |                           |
|     |                     |                           |
|     |                     |                           |
|     |                     |                           |
| ISU | DATE                | REVISION                  |
| C   | 8/5/93              | ADDED CENTER CROSS MEMBER |

| SIZE  | HEIGHT |      | WIDTH |      | DEPTH  |        |          | WEIGHT (LBS.) |       | NO. OF CTNS | CARTON DIM'S        |      | CU FT. | U.P.S. |  |
|-------|--------|------|-------|------|--------|--------|----------|---------------|-------|-------------|---------------------|------|--------|--------|--|
|       | HDBD   | FTBD | HDBD  | FTBD | DAYBED | PACKED | UNPACKED | FRAME         | FRAME |             | FRAME               | Y    |        | N      |  |
| 3/3   |        |      |       |      |        |        |          |               |       |             |                     |      |        |        |  |
| 4/6   |        |      |       |      |        |        |          |               |       |             |                     |      |        |        |  |
| 5/0   |        |      |       |      |        |        |          |               |       |             |                     |      |        |        |  |
| 6/6   |        |      |       |      |        |        |          |               |       |             |                     |      |        |        |  |
| FRAME |        |      |       |      |        |        |          | 45            |       | 1           | 86 x 3-1/4 x 7-3/4" | 1.25 |        | X      |  |

NOTES: \_\_\_\_\_