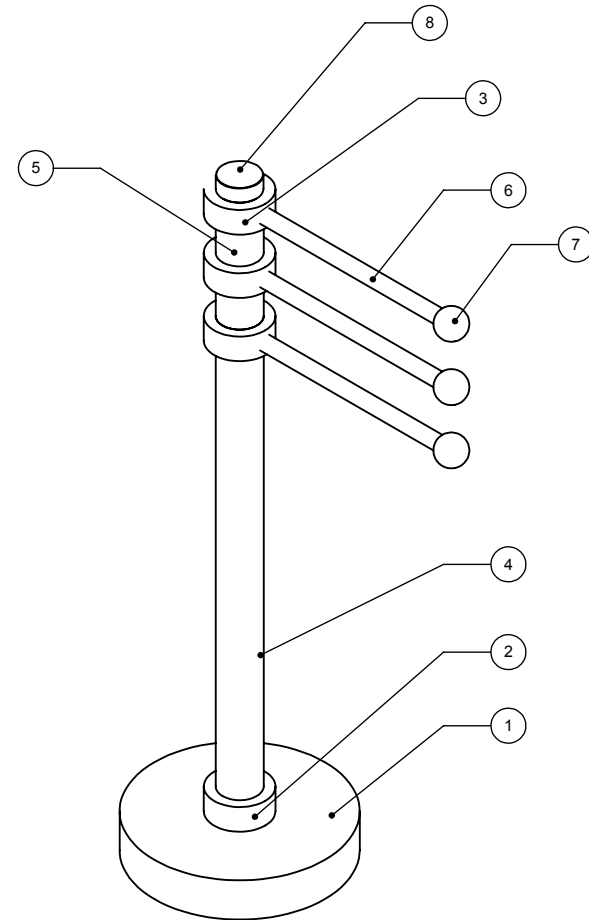
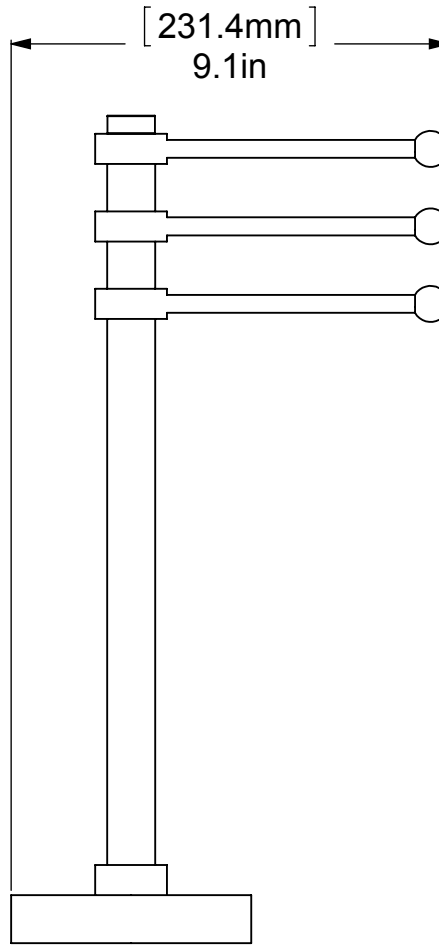
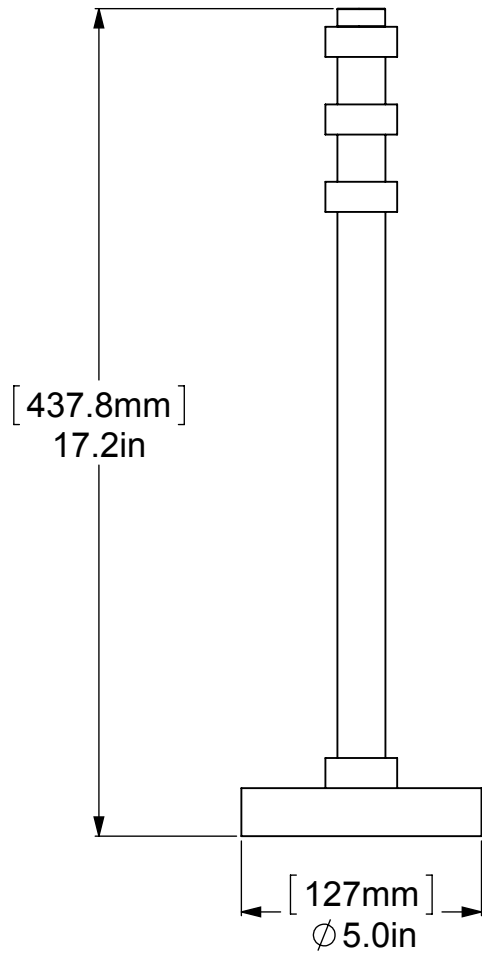


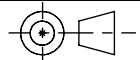
ITEM NO.	P/N	Description	QTY.
1	BSRD-5	BASE	1
2	RGSM	HUB-BASE	1
3	RGSMT	HUB-SUPPORT	3
4	TU1-12	TUBE BASE	1
5	TU1-1	TUBE-DIV	2
6	TU38-6	ARM TUBE	3
7	BL1T-34	ARMBALL	3
8	CARD-1	TOP CAP	1



UNLESS OTHERWISE STATED

.X	±.3mm
.XX	±.15mm
.XXX	±.008mm

COPYRIGHT © Allied Brass 2016



THIRD ANGLE PROJECTION

DRAWN	4/3/2016	I.M
CHECKED	4/3/2016	P.D
APPROVED	4/3/2016	R.A

MATERIAL:	BRASS
DESCRIPTION:	Vanity Top 3 Swing Arm Guest Towel Holder

FINISH	TBD
QUANTITY	TBD
DRAWING No.	973
REV	0
SCALE	1:4
SHEET: 01	A4