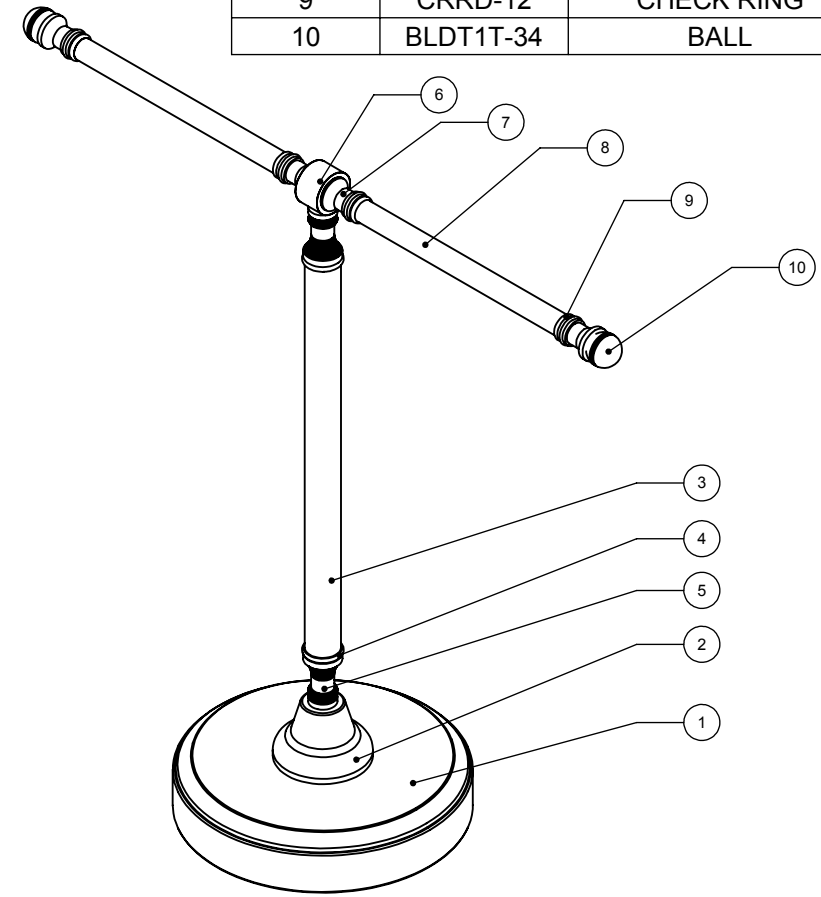
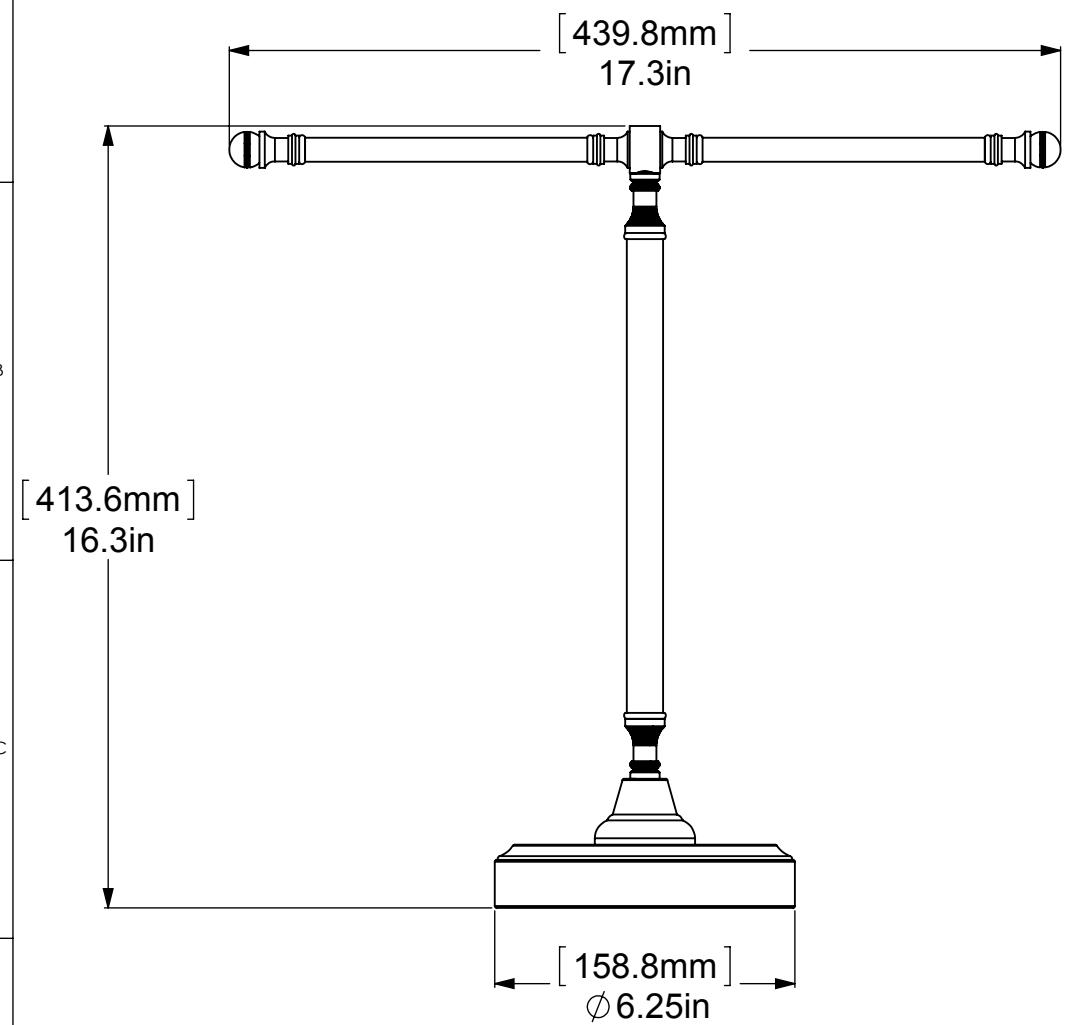


ITEM NO.	P/N	DESCRIPTION	QTY.
1	BSRD-6.25	BASE	1
2	FGTD-1.5	NECK	2
3	TU12-10	TUBE	2
4	CRRD-34	RING	2
5	NKSL-1.25	NECK-CONNECT	2
6	HB1T-1	HUB	1
7	NKSL-78	NECK-SUPPORT	4
8	TU12-6	TUBE	2
9	CRRD-12	CHECK RING	4
10	BLDT1T-34	BALL	2



UNLESS OTHERWISE STATED	
.X	±.3mm
.XX	±.15mm
.XXX	±.008mm

COPYRIGHT © Allied Brass 2016

THIRD ANGLE PROJECTION

DRAWN	4/7/2016	I.M	MATERIAL:	BRASS	FINISH	TBD
CHECKED	4/7/2016	P.D	DESCRIPTION:		QUANTITY	TBD
APPROVED	4/7/2016	R.A	Vanity Top 2 Arm Guest Towel Holder		DRAWING No. RDM-2	
			SCALE	1:7	SHEET: 01	A4