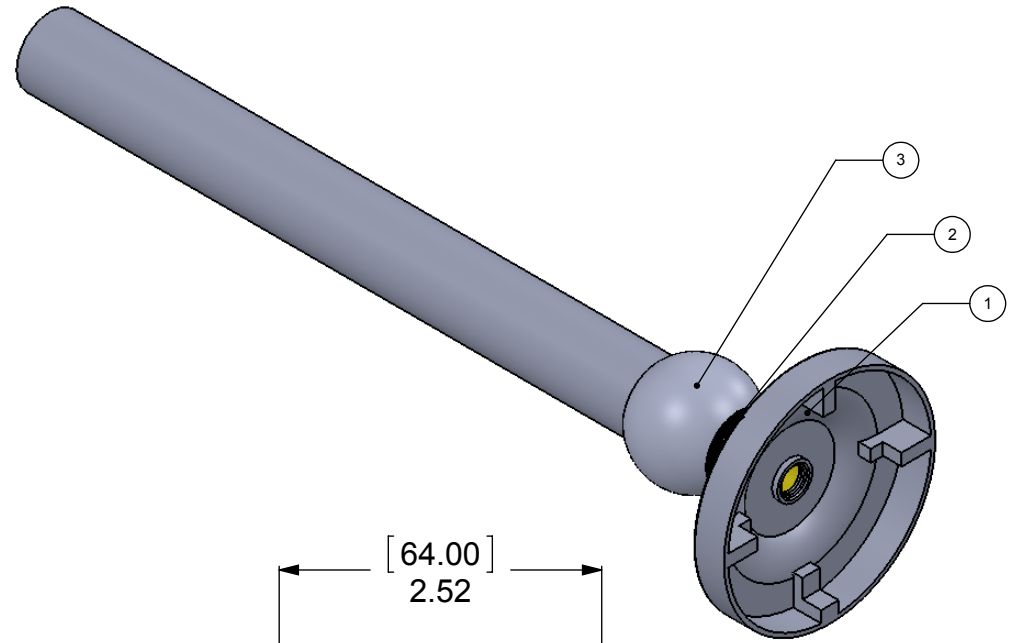
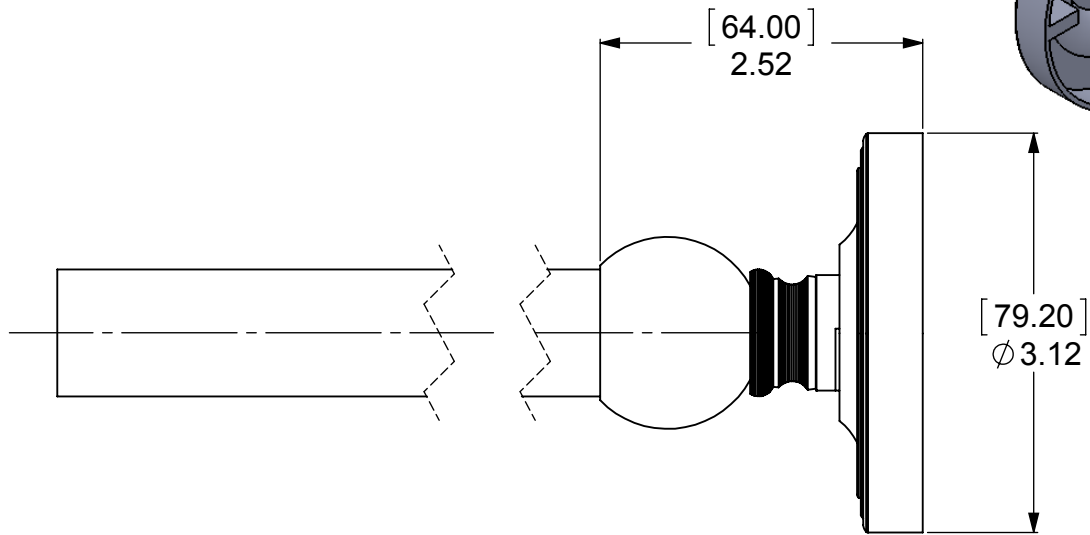
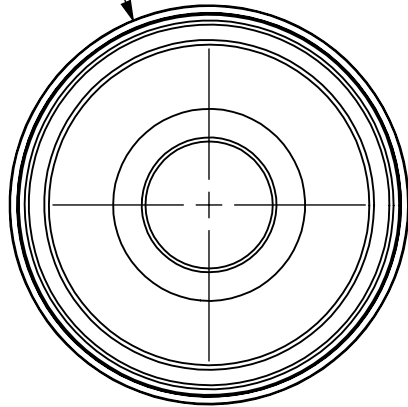


ITEM NO.	P/N	DESCRIPTION	QTY.
1	BPPR	Base	1
2	NKSL-58	Support	1
3	BL99-SR	CONNECTOR	1



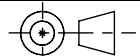
[79.20]
 \varnothing 3.12



UNLESS OTHERWISE STATED

.X	$\pm .3\text{mm}$
.XX	$\pm .15\text{mm}$
.XXX	$\pm .008\text{mm}$

COPYRIGHT © Allied Brass 2016



THIRD ANGLE PROJECTION

DRAWN	2-18-16	I.M
CHECKED	2-18-16	P.D
APPROVED	2-18-16	R.A

MATERIAL: BRASS

DESCRIPTION:
**SHOWER CURTAIN
 ESCUTCHEON**



NOTE:
 1. UNIT IS IN MM.

FINISH	TBD
QUANTITY	TBD
DRAWING No.	REV
PR-99	0
SCALE	1:2.5
SHEET: 01	A4