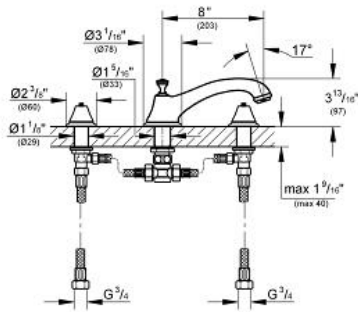


SEABURY
Roman Tub Filler
MODEL # 25055

Pure Freude an Wasser



GROHE America, Inc | 200 North Gary Avenue, Suite G, Roselle, IL 60172
Phone: +1 (800) 444-7643 | Fax: +1 (800) 225-2778 | us-customerservice@grohe.com



Product Description:
Roman Tub Filler

Standard Specification:

- Handles sold separately
- 10" bath tub spout
- 1/2" valves
- Pressure resistant flexible connection hoses (between spout and side valves)
- For Seabury cross and lever handles (18 731 / 18 732)
- **GROHE StarLight®** finish

Applicable Codes & Standards:

- Energy Policy Act of 1992
- ASME A112.18.1/CSA B125.1

Color:

- 25055 000 chrome
- 25055 BE0 sterling / brilliant nickel
- 25055 EN0 brushed nickel
- 25055 ZB0 oil rubbed bronze