

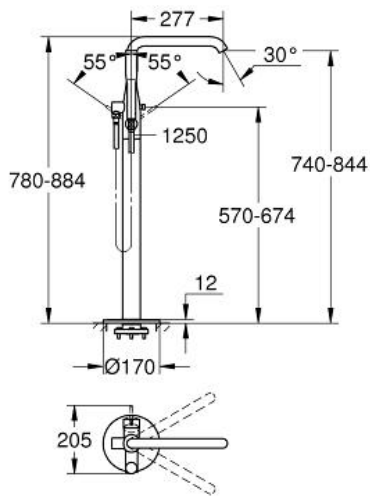
ESSENCE NEW Single-lever Bath Mixer 1/2"

MODEL # 23491

Pure Freude an Wasser



GROHE America, Inc | 200 North Gary Avenue, Suite G, Roselle, IL 60172
Phone: +1 (800) 444-7643 | Fax: +1 (800) 225-2778 | us-customerservice@grohe.com



Product Description: Single-lever Bath Mixer 1/2"

Standard Specification:

- Floor standing tub filler
- Final installation set for: 45 984
- Requires Rough-In Set 29 038 001 (sold separately)
- **GROHE SilkMove®** ceramic cartridge
- With temperature limiter
- Automatic diverter: bath/shower
- Swivel tubular spout with flow control and stop limiter
- 1/2" Integrated non-return valve in the shower outlet
- With shower holder
- 49" SilverFlex shower hose (28 362 000)
- **Protected against backflow**
- Min. recommended pressure 15 psi

Applicable Codes & Standards:

- ASME A112.18.1/CSA B125.1

Color:

- 23491 001 chrome