

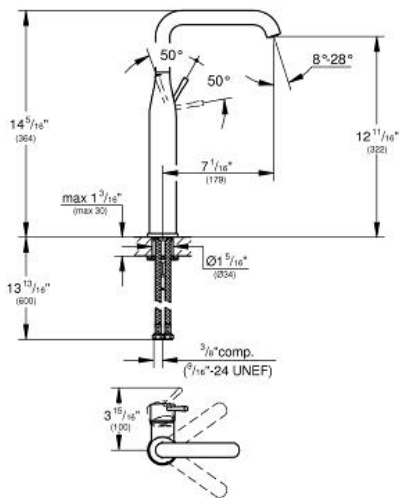
ESSENCE NEW

MODEL # 23538

Pure Freude an Wasser



GROHE America, Inc | 200 North Gary Avenue, Suite G, Roselle, IL 60172
Phone: +1 (800) 444-7643 | Fax: +1 (800) 225-2778 | us-customerservice@grohe.com



ADA

Product Description:

Standard Specification:

- Single hole installation
- **GROHE SilkMove®** ceramic cartridge
- With temperature limiter
- **GROHE EcoJoy®**
- **GROHE AquaGuide** adjustable flow control
- **GROHE StarLight®** finish
- Swivel Spout
- With stop restriction
- Smooth body
- Stainless Steel Braided Flexible Supplies
- **GROHE QuickFix®** installation system
- Metal lever

Applicable Codes & Standards:

- Energy Policy Act of 1992
- NSF 61
- ASME A112.18.1/CSA B125.1
- US Federal and State material regulations
- EPA WaterSense®
- ICC/ANSI A117.1

Color:

- 23538 001 chrome
- 23538 EN1 brushed nickel