

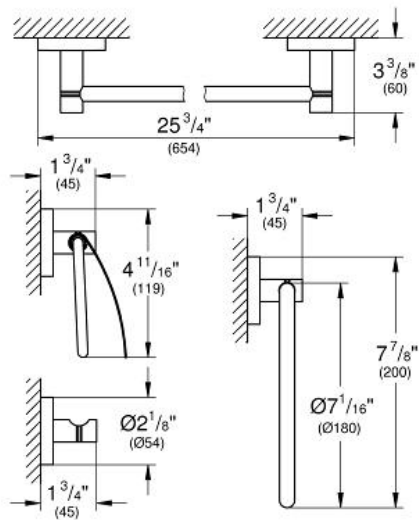
# ESSENTIALS

MODEL # 40776

Pure Freude an Wasser



GROHE America, Inc | 200 North Gary Avenue, Suite G, Roselle, IL 60172  
Phone: +1 (800) 444-7643 | Fax: +1 (800) 225-2778 | us-customerservice@grohe.com



## Product Description:

### Standard Specification:

- Material: metal
- Towel ring (40 365 001)
- Robe hook (40 364 001)
- Toilet paper holder with cover (40 367 001)
- 24" towel rail (40 366 001)
- Concealed fastening
- **GROHE StarLight®** finish

### Color:

- 40776 001 chrome