

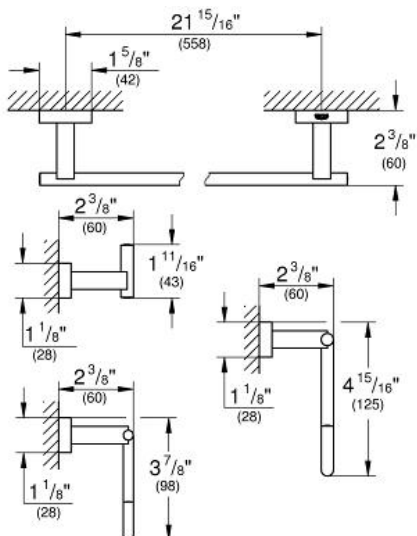
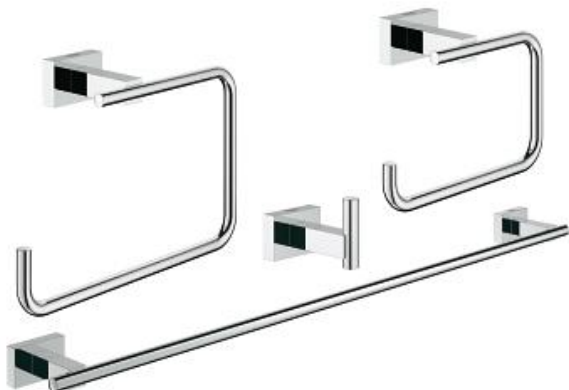
# ESSENTIALS CUBE

MODEL # 40778

Pure Freude an Wasser



GROHE America, Inc | 200 North Gary Avenue, Suite G, Roselle, IL 60172  
Phone: +1 (800) 444-7643 | Fax: +1 (800) 225-2778 | us-customerservice@grohe.com



## Product Description:

### Standard Specification:

- Material: metal
- Includes robe hook (40 511 001)
- Includes 8" towel ring (40 510 001)
- Includes toilet paper holder (40 507 001)
- Includes 24" towel rail (40 509 001)
- Concealed fastening
- **GROHE StarLight®** finish

### Color:

- 40778 001 chrome