

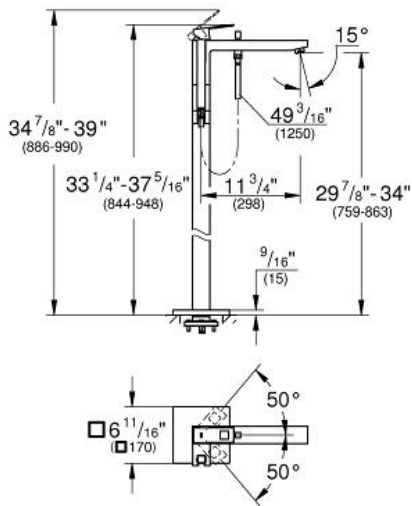
EUROCUBE Single-lever Bath Mixer 1/2"

MODEL # 23672

Pure Freude an Wasser

GROHE

GROHE America, Inc | 200 North Gary Avenue, Suite G, Roselle, IL 60172
Phone: +1 (800) 444-7643 | Fax: +1 (800) 225-2778 | us-customerservice@grohe.com



Product Description: Single-lever Bath Mixer 1/2"

Standard Specification:

- Floor standing tub filler
- Final installation set for:
45 984 001
Rough-In Set (29 038 001)
29 086 000
- Requires Rough-In Set 29 038 001 (sold separately)
- **GROHE SilkMove®** ceramic cartridge
- With temperature limiter
- GROHE Starlight® finish
- Automatic diverter: bath/shower
- Spout with flow control
- 11 3/4" spout reach
- 1/2" Integrated non-return valve in the shower outlet
- **Protected against backflow**
- With shower holder
Euphoria Cube hand shower (27 699 000), 2.5gpm, 1 spray
- 49" SilverFlex shower hose (28 362 000)

Color:

- 23672 000 chrome