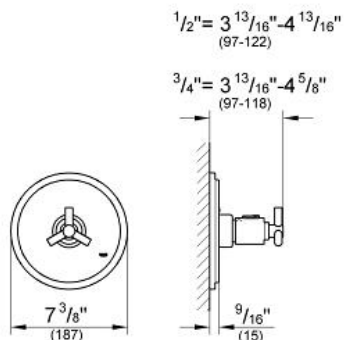


ATRIO
Central Thermostatic Mixer
MODEL # 19169

Pure Freude an Wasser



GROHE America, Inc | 200 North Gary Avenue, Suite G, Roselle, IL 60172
Phone: +1 (800) 444-7643 | Fax: +1 (800) 225-2778 | us-customerservice@grohe.com



Product Description:
Central Thermostatic Mixer

Standard Specification:

- For use with GrohTherm Rough-In Valve (34 331) or (34 397)

Applicable Codes & Standards:

- Energy Policy Act of 1992
- ASME A112.18.1/CSA B125.1

Color:

- 19169 000 chrome
- 19169 EN0 brushed nickel