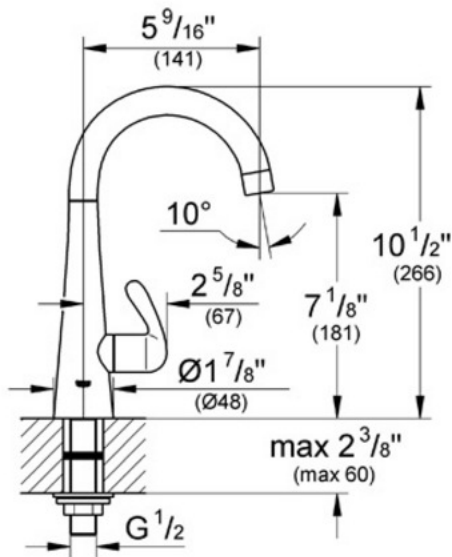


30 026 Basin/Pillar Tap



Description

Grohe RealSteel® Stainless Steel Construction- produced from solid, Grade 304 stainless steel
GROHE SilkMove® Ceramic Cartridge
Single Inlet - Hot or Cold Water
5 9/16" Swivel Spout

Flow Rate

2.2 gpm at 45 psi, 2.5 gpm at 80 psi
(9.5 lpm)

Code Compliance

ASME/ANSI A112.18.1M
ANSI/NSF Standard 61
ADA Compliant

Finish Options

30 026 OOO Starlight® Chrome
30 026 SDO Stainless Steel
30 026 DCO SuperSteel