

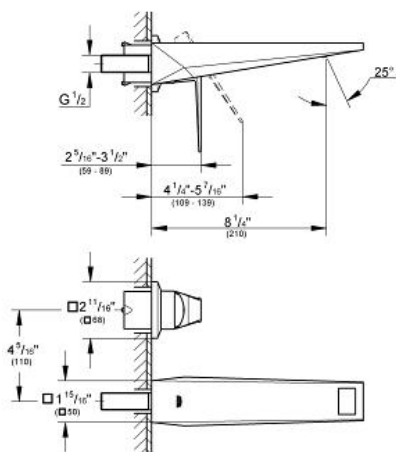
ALLURE BRILLIANT Two-Hole Basin Mixer M-Size

MODEL # 19784

GROHE America, Inc | 200 North Gary Avenue, Suite G, Roselle, IL 60172
Phone: +1 (800) 444-7643 | Fax: +1 (800) 225-2778 | us-customerservice@grohe.com

Pure Freude an Wasser

GROHE



Product Description: Two-Hole Basin Mixer M-Size

Standard Specification:

- Wall mount
- Final installation set for:
 - Without concealed body
- **GROHE StarLight®** finish
- **GROHE EcoJoy®** technology for less water and perfect flow
- 8 1/4" Spout/Aerator Reach
- Spout with integrated flow control
- Solid Brass Construction
- GROHE WaterCare® technology -1.5 gpm

Applicable Codes & Standards:

- Energy Policy Act of 1992
- NSF 61
- ASME A112.18.1/CSA B125.1
- US Federal and State material regulations
- EPA WaterSense®
- ICC/ANSI A117.1
- CalGreen

Color:

- 19784 000 chrome