

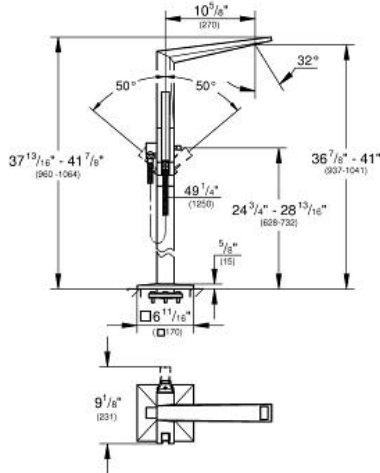
ALLURE BRILLIANT Single-lever Bath Mixer 1/2"

MODEL # 23119

Pure Freude an Wasser



GROHE America, Inc | 200 North Gary Avenue, Suite G, Roselle, IL 60172
Phone: +1 (800) 444-7643 | Fax: +1 (800) 225-2778 | us-customerservice@grohe.com



Product Description: Single-lever Bath Mixer 1/2"

Standard Specification:

- Floor standing tub filler
- Requires Rough-In Set 29 038 001 (sold separately)
- **GROHE SilkMove®** ceramic cartridge
- **GROHE StarLight®** finish
- Automatic diverter: bath/shower
- Spout with integrated flow control
- Projection $10 \frac{5}{8}''$
- $1/2''$ Integrated non-return valve in the shower outlet
- With shower holder
- Hand shower Euphoria Cube+
- Metal shower hose 59"
- **Protected against backflow**

Applicable Codes & Standards:

- Energy Policy Act of 1992
- ASME A112.18.1/CSA B125.1
- US Federal and State material regulations
- ICC/ANSI A117.1

Color:

- 23119 000 chrome

