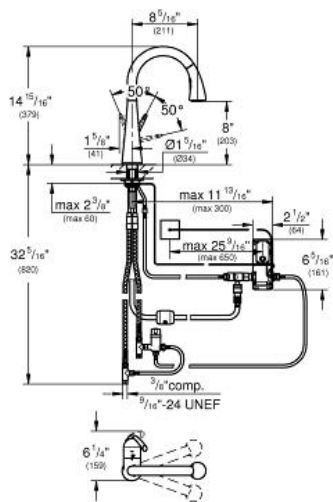


LADYLUX TOUCH
Electronic Single handle
MODEL # 30205DC1

Pure Freude an Wasser



GROHE America, Inc | 200 North Gary Avenue, Suite G, Roselle, IL 60172
Phone: +1 (800) 444-7643 | Fax: +1 (800) 225-2778 | us-customerservice@grohe.com



Product Description:
Electronic Single handle

Standard Specification:

- L-spout
- **Touch: activation of water via skin contact**
- 6 V lithium-battery supply (type CR-P2)
- **CE approved**
- Solenoid valve
- Fixed value mixing valve
- Automatic safety stop after 60 sec. (factory set)
- **GROHE SilkMove®** ceramic cartridge
- Adjustable flow rate limiter
- Swivel Spout
- Swivel area 360°
- Pull-out dual spray
- Locking Push Button Control - to switch from regular flow to spray
- Automatic return to aerator
- Stainless steel flex lines
- Quick installation system
- **Protected against backflow**

Color:

- 30205DC1 DC1 supersteel