

GROHFLEX SHOWER SET

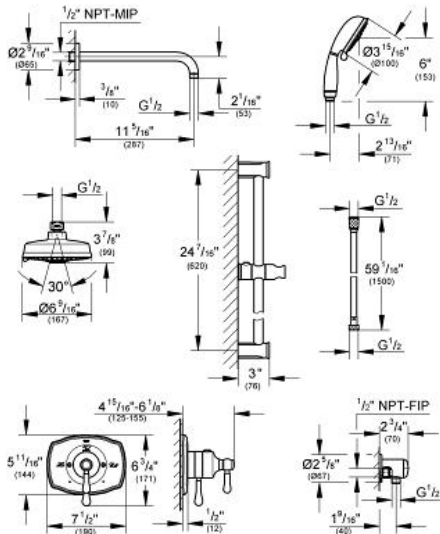
Thermostat valve

MODEL # 35054

Pure Freude an Wasser



GROHE America, Inc | 200 North Gary Avenue, Suite G, Roselle, IL 60172
 Phone: +1 (800) 444-7643 | Fax: +1 (800) 225-2778 | us-customerservice@grohe.com



Product Description:

Thermostat valve

Standard Specification:

- Shower combination
 - Consisting of:
 - Rainshower™ Rustic 160 shower head - 4 spray, 2.5 gpm (27 130)
 - Rainshower™ 12" shower arm (28 577)
 - GroheFlex® THM Authentic dual function (19 825)
 - New Tempesta® Rustic 100 shower set - 4 spray, 2.5 gpm (27 609)
 - Relaxa® wall union (28 672 000 / 28 627 EN0)
- Requires GroheFlex® Universal Rough-In Box (35 026)

Applicable Codes & Standards:

- Energy Policy Act of 1992
- ASME A112.18.1/CSA B125.1

Color:

- 35054 EN0 chrome
- 35054 000 chrome