

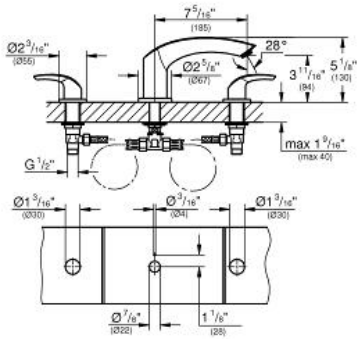
EUROSMART Roman Tub Filler

MODEL # 25168

Pure Freude an Wasser

GROHE

GROHE America, Inc | 200 North Gary Avenue, Suite G, Roselle, IL 60172
Phone: +1 (800) 444-7643 | Fax: +1 (800) 225-2778 | us-customerservice@grohe.com



Product Description: Roman Tub Filler

Standard Specification:

- Metal lever
- GROHE StarLight® finish

Applicable Codes & Standards:

- Energy Policy Act of 1992
- NSF 61
- ASME A112.18.1/CSA B125.1
- US Federal and State material regulations
- ICC/ANSI A117.1

Color:

- 25168 002 chrome
- 25168 EN2 brushed nickel