

**Raindance Select**  
**Raindance Select E 150 3jet hand shower**  
 Surfaces: **chrome**    Article Number: **26550000**



## Description

### product features

- hand shower with 2-shell construction
- shower head size: 150 mm
- convenient diversion via Select button
- spray type: RainAir, CaresseAir, Mix
- maximum flow rate (at 0.3 MPa): 16 l/min
- with internal water conduction
- rinseable dirt filter
- connection thread G 1/2
- connection dimension: DN15
- suitable for continuous flow water heaters

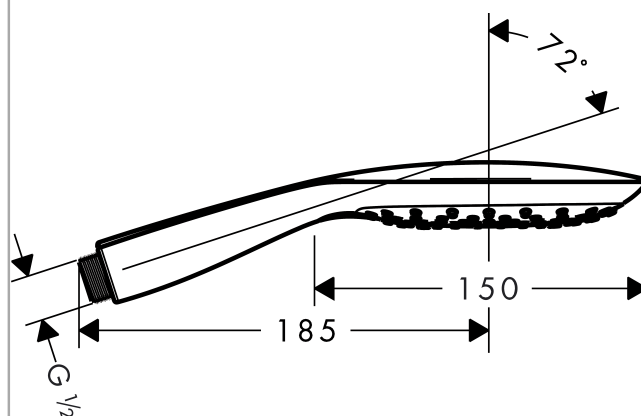
## Technology



## Product image



## Scale drawing



## Flowchart

