

Axor Starck Organic
Axor Starck Organic Thermostatic Wall-Mounted Tub Filler
 Finishes : **Chrome** Part no. : **12410001**



Description

Features

- Flow: 5.3 GPM
- Thermostatic cartridge, Shut-off/diverter valve
- Solid brass

Required accessories

- Showerpipe Basic Set (#16181USA)

Item details

List Price \$ 1,147.00

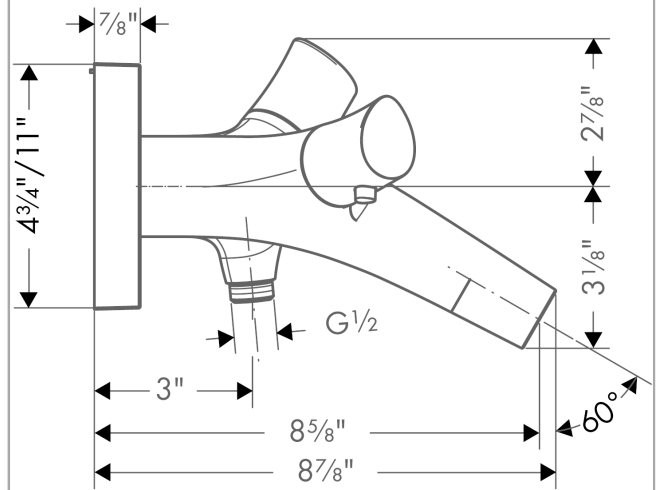
Compliance



Product image



Scale drawing

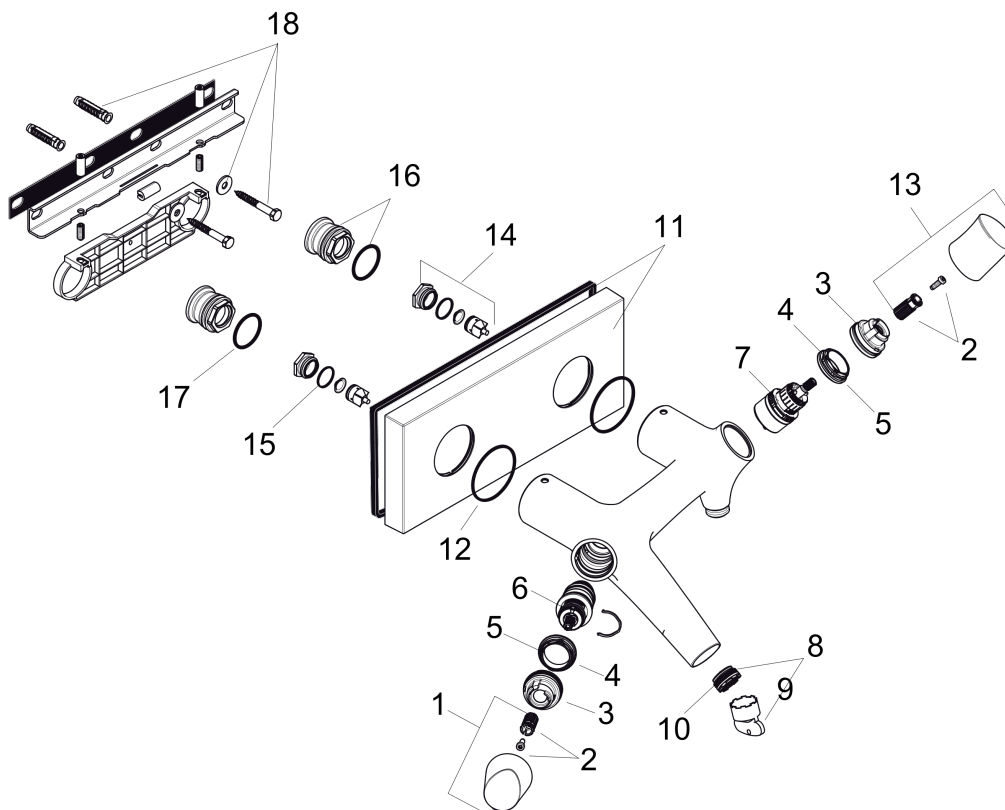


Axor Starck Organic
Axor Starck Organic Thermostatic Wall-Mounted Tub Filler
Finishes : **Chrome** Part no. : **12410001**



Exploded drawing

Year of production: >03/13



Axor Starck Organic
Axor Starck Organic Thermostatic Wall-Mounted Tub Filler
 Finishes : **Chrome** Part no. : **12410001**



Spare parts list

Year of production: >03/13

Pos.	Description	Part no.	Price	PU
1	handle for thermostat	98334000	-	1
2	handle fixing set	98290000	-	1
3	safety set	98289000	-	1
4	nut	98913000	-	1
5	O-ring 26x1,5	98390000	-	1
6	thermostat cartridge	98282001	-	1
7	shut off unit with selector	98283000	-	1
8	aerator laminar M24x1 C	98337000	-	1
9	special tool	95290000	-	1
10	O-ring 20x1,5	98197000	-	1
11	escutcheon	98332000	-	1
12	O-Ring 54x2,5	98191000	-	1
13	handle	98333000	-	1
14	non return valve with filter	95773000	-	1
15	O-ring 17x2	98199000	-	1
16	set of S-unions	95772001	-	1
17	O-ring 29x3	98371000	-	1
18	mounting kit	95430000	-	1
a	base body	16181181	-	1