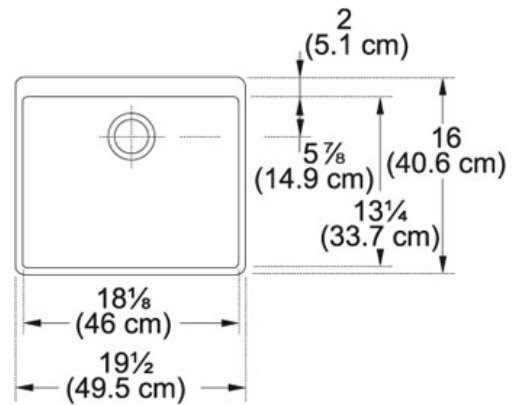


# SPECIFICATION SHEET

PRODUCT FAMILY: Sinks FINISH: Fireclay White SERIES: MANOR HOUSE MODEL: MHK110-20



## Product Information

<b>FUN#</b>	130.0066.192
<b>US Part Number</b>	MHK110-20WH
<b>Installation Clips</b>	No
<b>Minimum Cabinet Size</b>	21"
<b>Drain Opening</b>	3 1/2"
<b>Outer Dimensions</b>	19 11/16"x15 3/4"
<b>Bowl Size</b>	17 3/4"x12 5/8"x5 7/8"
<b>Number of Bowls</b>	1
<b>Cut-Out Template</b>	No
<b>*</b>	Dimensions may vary by 2% (plus or minus) due to material attributes and firing process. Finish on front and sides only.
<b>Type of Material</b>	Fireclay

**Accessories**



112.0046.923



112.0048.590

**Suggested Products**



115.0190.774



119.0066.616



119.0080.612



120.0296.722



133.0171.120



134.0297.203