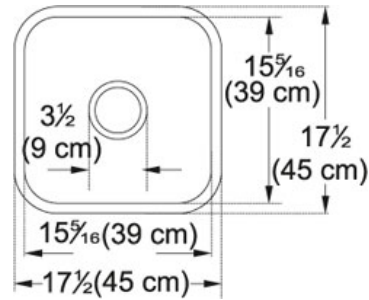


SPECIFICATION SHEET

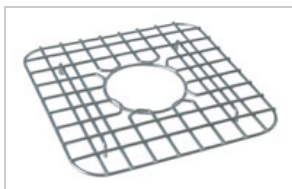
PRODUCT FAMILY: Sinks FINISH: Fireclay White SERIES: CISTERNA MODEL: CCK110-15



Product Information

FUN#	126.0066.141
US Part Number	CCK110-15WH
Minimum Cabinet Size	21"
Drain Opening	3 1/2"
Outer Dimensions	17 1/2"x17 1/2"x8 5/8"
Bowl Size	15 5/16"x15 5/16"x7 7/8"
Number of Bowls	1
*	Dimensions may vary by 2% (plus or minus) due to material attributes and firing process **Installation of this fireclay product requires custom cabinetry. Franke recommends that an experienced cabinet maker build the new cabinet, or is responsible for modifications to existing cabinets for this product.
Type of Material	Fireclay

Accessories



112.0066.222

Suggested Products



115.0195.026