



Description

- Distinctive twin lever handle antique style widespread lavatory faucet
- EPA WaterSense compliant 1.5 GPM discharge
- Trouble-free brass frame ceramic cartridge
- Suitable for 4" to 12" on-center 3 hole installations
- Heavy duty chrome plated finish
- All brass construction
- Includes all brass pop-up with color matched trim
- 1/2" IPS connections

Performance

- Designed to provide 0.8 GPM min 20 PSI to 1.5 GPM max 60 PSI

Compliance

- Designed to comply with requirements of ASME A112.18.1
- Meets low lead requirements of NSF Standard- 61, Section- 9
- Meets low lead requirements of California Proposition- 65
- Complies with the requirements of the UPC (Uniform Plumbing Code)
- Complies with ADA (American With Disabilities Act)
- Meets or exceeds CSA B125
- EPA WaterSense requirements

Listings

- IAPMO (International Association of Plumbing & Mechanical Officials)
- UPC (Uniform Plumbing Code)
- CSA (Canadian Standards Association)
- NSF Certified (National Sanitation Foundation)

Warranty

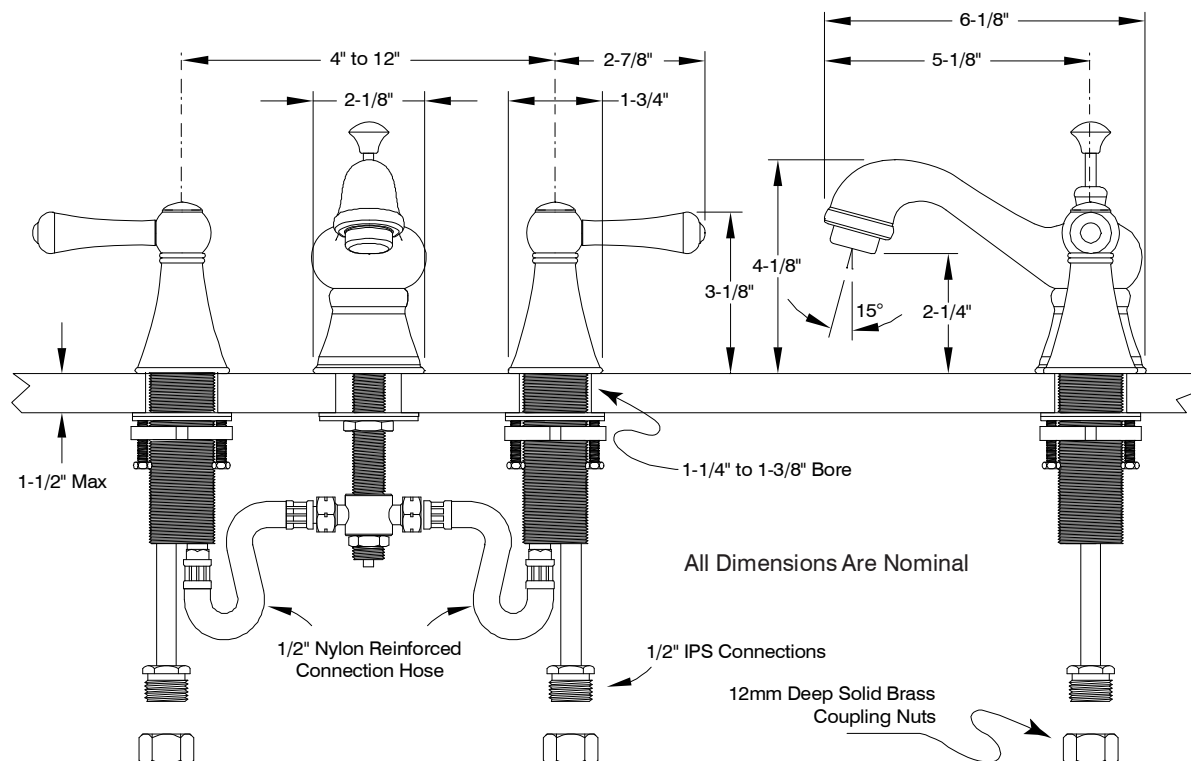
- Limited Lifetime Warranty
Refer to Premier Faucet warranty program for further details and restrictions.

SONOMA™



Model 120579

Twin Lever Handle Widespread
WaterSense Lavatory Faucet
Chrome Plated Finish
With Brass Pop-Up
1/2" IPS Connection



For additional information contact Premier Faucet at 866-745-4010 or visit our website at www.premierfaucet.com

