



ENGINEERING EXCELLENCE

Legacy Series #X-6400035

SPECIFICATION SHEET

DESCRIPTION

- Rain Showerhead, 6" Face
- Rub-Clean Anti-Scale Spray
- Offset Brass Ball Swivel Joint
- 1/2" NPT Female Thread

FINISHES

- PC PVD Polished Chrome
- BN PVD Brushed Nickel



#X-6400035 SHOWN

STANDARDS APPLICABLE

- ASME A112.18.1

FLOW

- Showerhead Limited to 2.5 GPM Flow Rate

Model #: _____

Specific Features: _____

Project Name: _____

Submitted For: _____

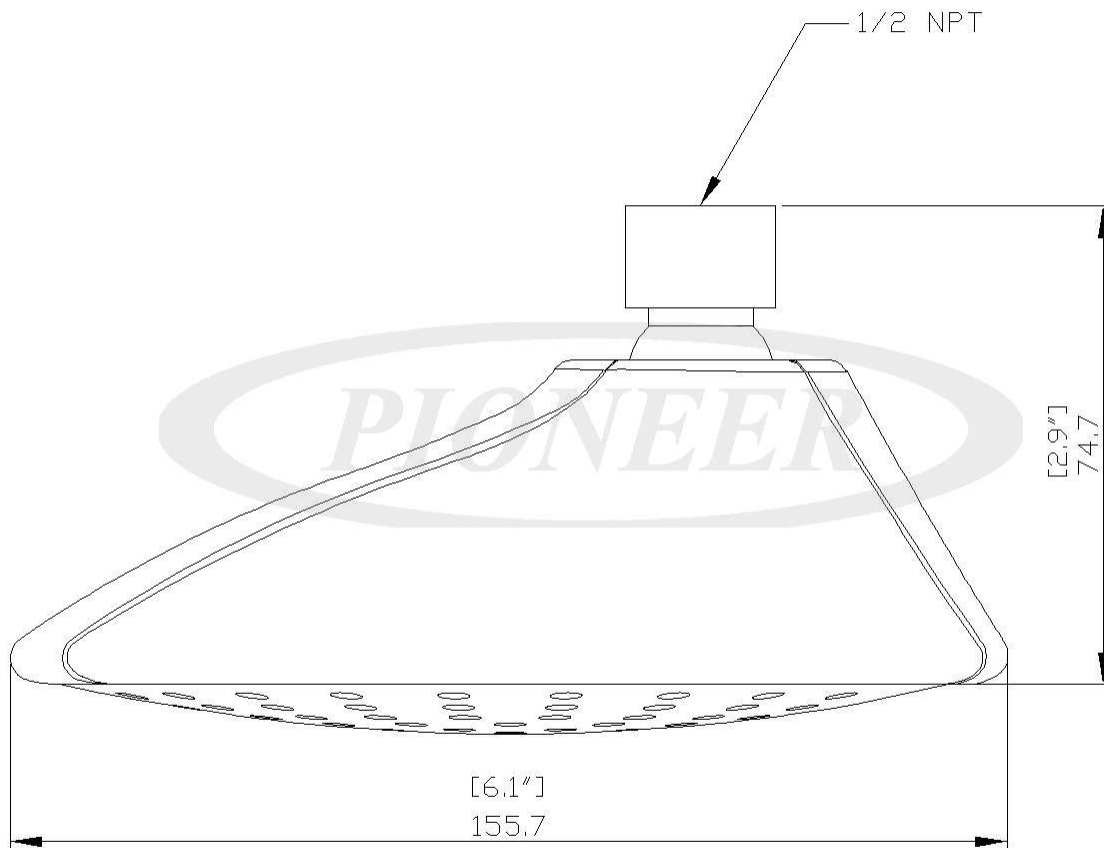
Model	Description	Finishes	
#X-6400035	Rain Showerhead	<input type="checkbox"/> PC	<input type="checkbox"/> Other__



ENGINEERING EXCELLENCE

Pioneer: 1-800-338-9468
 Commerce, CA 90040
 www.pioneerind.com
 Pioneer Industries, Inc. © 2009

DMSPX-6400035/REV. 12 2009
 Page 1 of 2



Product Diagram



ENGINEERING EXCELLENCE

Pioneer: 1-800-338-9468
Commerce, CA 90040
www.pioneerind.com
Pioneer Industries, Inc. © 2009