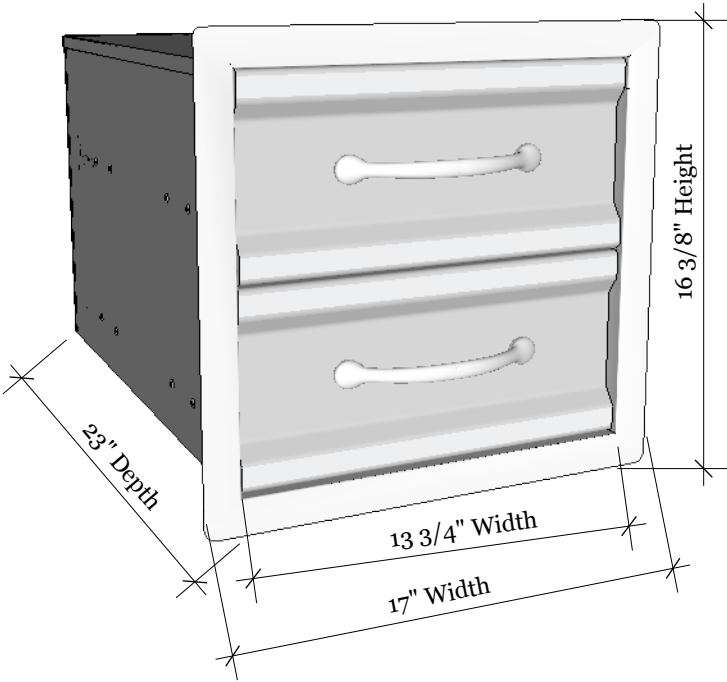
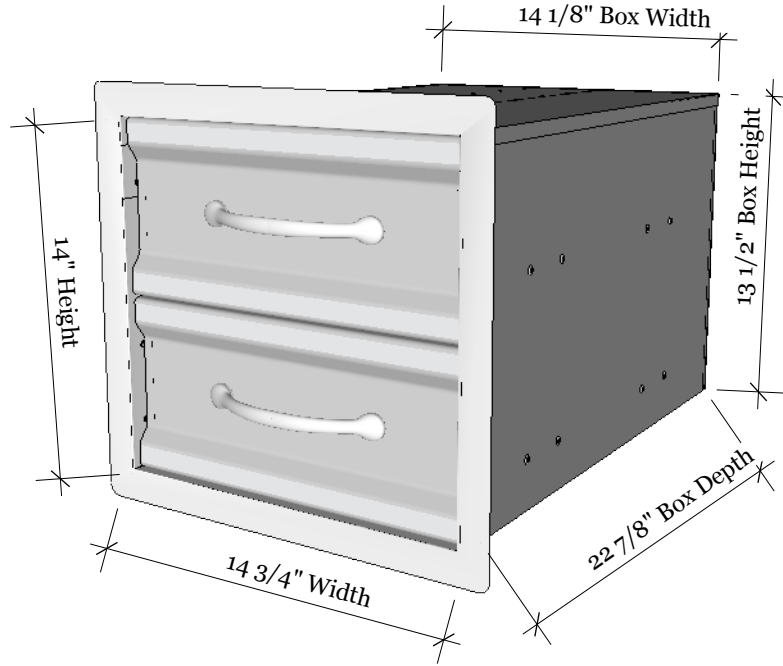


Product Dimensions



Cut-Out Dimensions



TEXAS BBQ WHOLESALERS
 13802 Dragline Dr.
 Austin, TX. 78728
 Tel: 888.934.9449
 Bus: 512.487.5116
 Fax: 512.487.7016

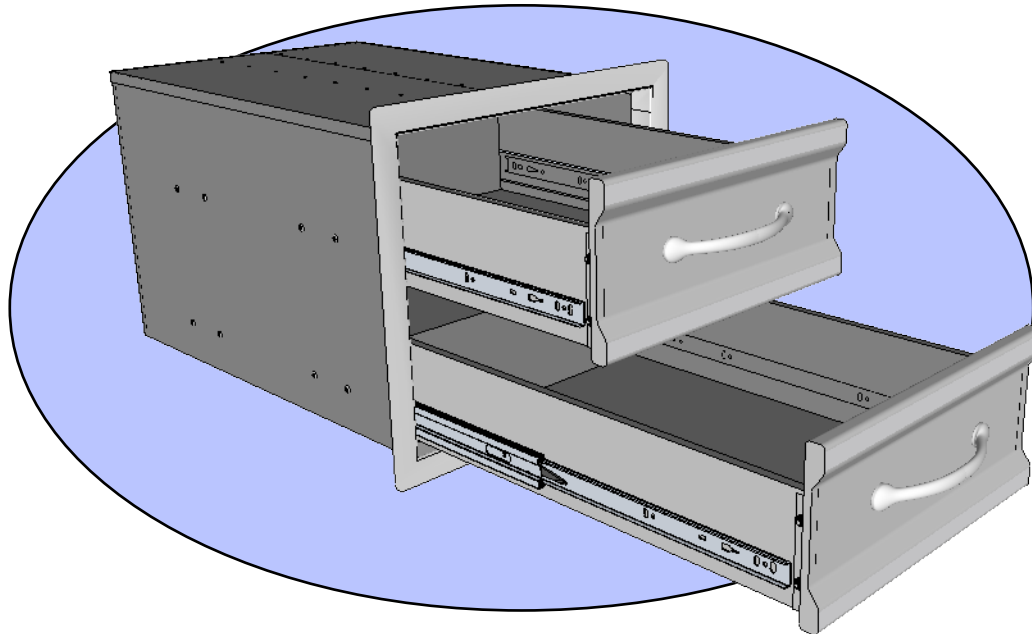
PRODUCT
 SUN PREMIUM DOUBLE ACCESS DRAWER
 Item No. C-DD14

DESCRIPTION
 304 stainless construction, flush mounted Polished Look. Drawers are fully enclosed.

Premium Double Access Drawer
 17"W x 16-3/8"H x 23"D(Product Size)
 14-3/4"W x 14"H (Cut-out)
 42 LBS (Weight)

Material Specifications:
 304 stainless steel
 16 Gauge for Frame
 18 Gauge for Panel
 18 Gauge galvanized Box
 Handles are made of zinc alloy, chrome plated.

ISO VIEW



Drawer Extension

