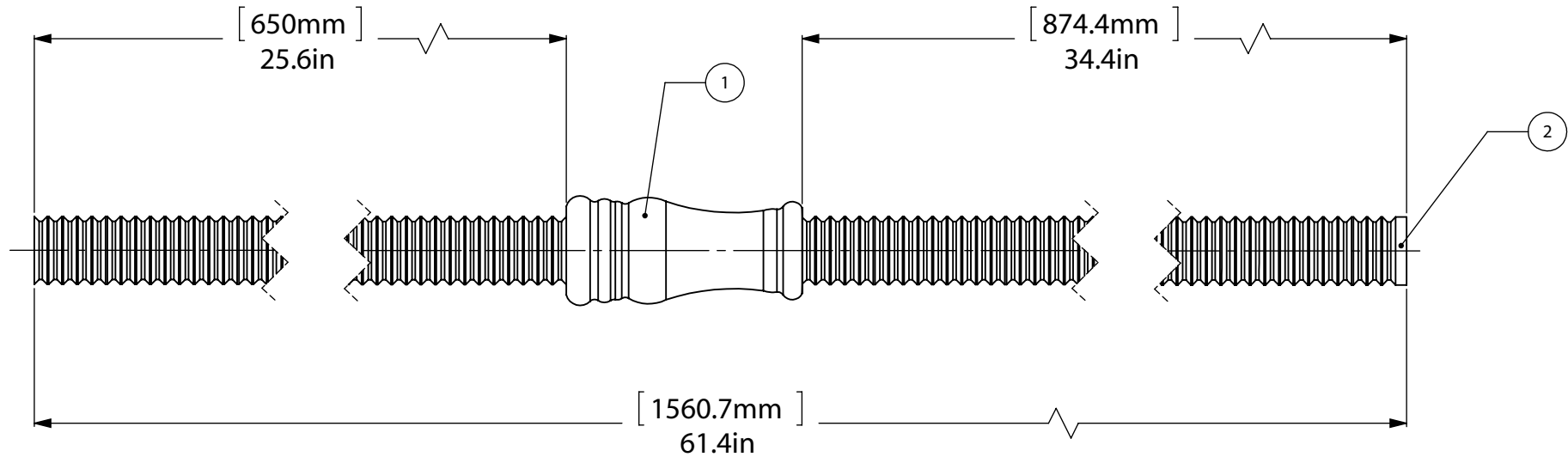



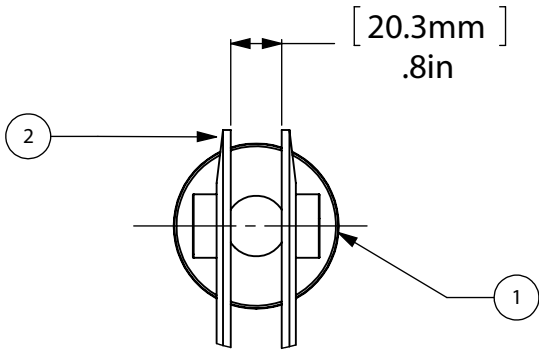
ITEM NO.	PART NUMBER	DESCRIPTION	QTY.
1	CNT-1	CONNECTOR 2	1
T	RD-1	THREADED ROD	1



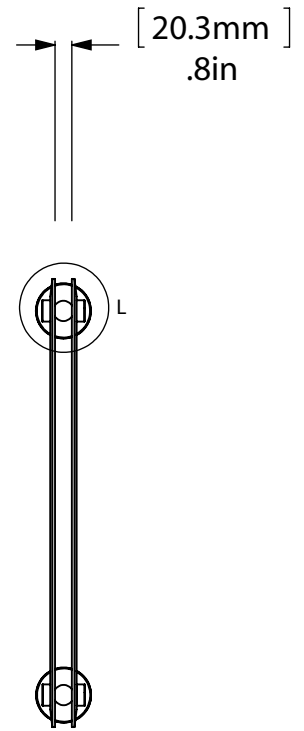
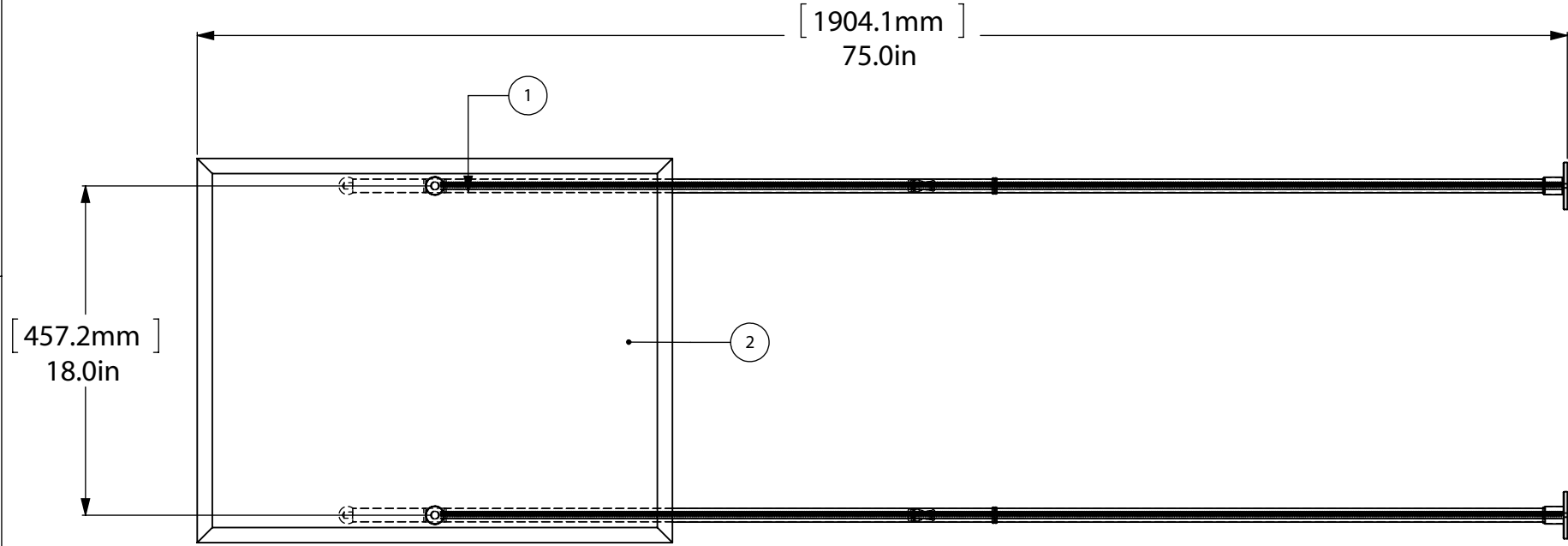
CONFIDENTIALITY/LIMITED LIABILITY STATEMENT
 This document (and any files attached to it) is confidential and intended only for the person or entity to which it is delivered. If you are not the intended recipient, then you have received this document by mistake and any use, dissemination, forwarding, printing or copying of this document and its file attachments is prohibited. Please notify ALLIED BRASS INC. immediately either by telephone or by email, delete the misdirected document from your system and destroy any copies you have made of it. We do not accept any liability for any loss or damage which may arise from your receipt of this document.

UNLESS OTHERWISE STATED			INITIALS	DATE	ITEM	QTY	DRG/PART NO	CLIENT:			
DO NOT SCALE	X.XXX	+/-0.025	DESIGNED	IJM	MATERIAL		BRASS	WEIGHT		FINISH	TBD
DRAWING	X.XX	+/-0.1	DRAWN	IJM	HEAT TREAT		NA			QUANTITY	
CHAMFER ALL	X.X	+/-0.25	CHECKED	R. ANDRIS	CUSTOMER			CUSTOMER No		---	
EDGES 0.5X4*	X	+/-0.75	PROJ.ENG		DESCRIPTION:			DRAWING No.		REV	
DRAWING ISO	ANGLES		SAFETY		CONNECTOR					CH-92-AS002	0
	X.XX	+/-0.05*	APPROVED	R. ANDRIS							
	X.X	+/-0.1*	FILENAME	CH-92-AS002				SCALE	1:1	SHEET: 01	A4
	X	+/-0.5*									
	X	+/-0.5*									
		3.2									
FIRST ANGLE PROJECTION	MACHINED FINISH										


ITEM NO.	PART NUMBER	DESCRIPTION	QTY.
1	CH92-AS003	SINGLE ASSY	2
2	MRRT-92	MIRROR	2

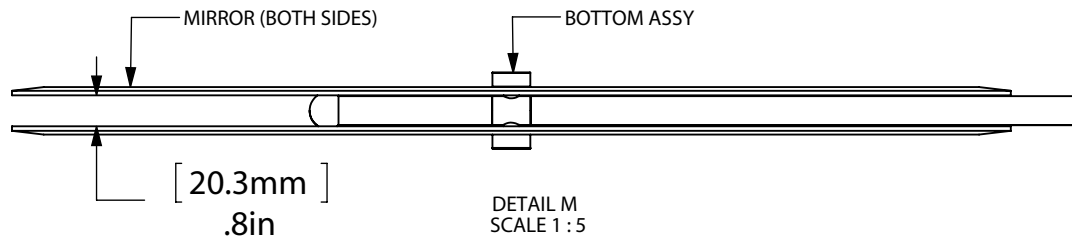


DETAIL L
SCALE 1:3

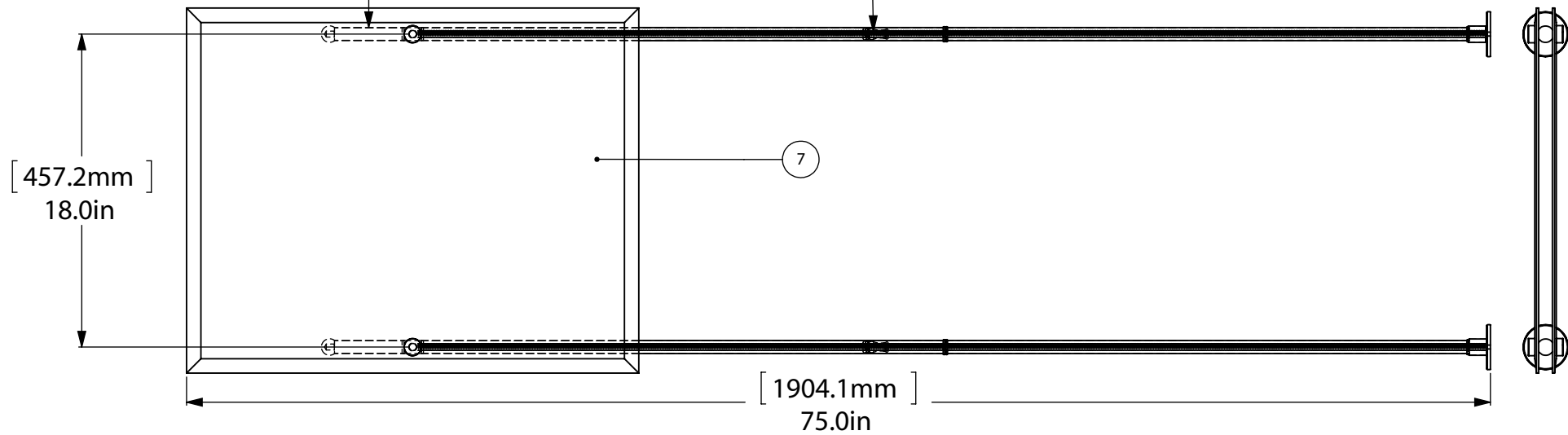
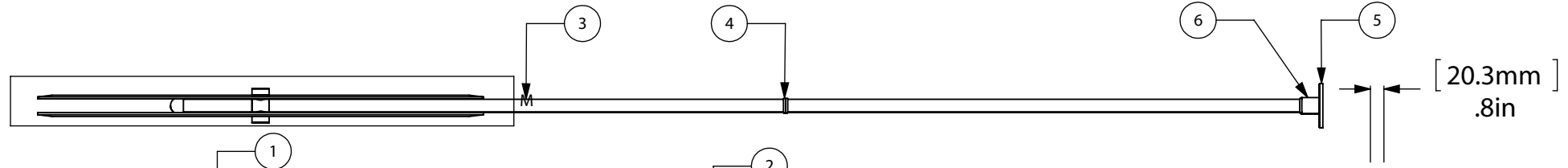


CONFIDENTIALITY/LIMITED LIABILITY STATEMENT
 This document (and any files attached to it) is confidential and intended only for the person or entity to which it is delivered. If you are not the intended recipient, then you have received this document by mistake and any use, dissemination, forwarding, printing or copying of this document and its file attachments is prohibited. Please notify ALLIED BRASS INC. immediately either by telephone or by email, delete the misdirected document from your system and destroy any copies you have made of it. We do not accept any liability for any loss or damage which may arise from your receipt of this document.


UNLESS OTHERWISE STATED			INITIALS	DATE	ITEM	QTY	DRG/PART NO	CLIENT:	
DO NOT SCALE	X.XXX	±0.025	DESIGNED	IJM	MATERIAL	BRASS	WEIGHT	FINISH	TBD
DRAWING	X.XX	±0.1	DRAWN	IJM	HEAT TREAT	NA	QUANTITY		
CHAMFER ALL	X	±0.25	CHECKED	R. ANDRIS	CUSTOMER		CUSTOMER No	---	
EDGES 0.5X4°		±0.75	PROJ.ENG		DESCRIPTION:			DRAWING No.	REV
DRAWING ISO	ANGLES		SAFETY		BOTTOM ASSY			CH-92-AS004	0
FIRST ANGLE PROJECTION	X.XX	±0.05*	APPROVED	R. ANDRIS				SCALE	1:9
	X	±0.1*	FILENAME	CH-92-AS004					
	X	±0.5*							
	MACHINED FINISH	3.2							

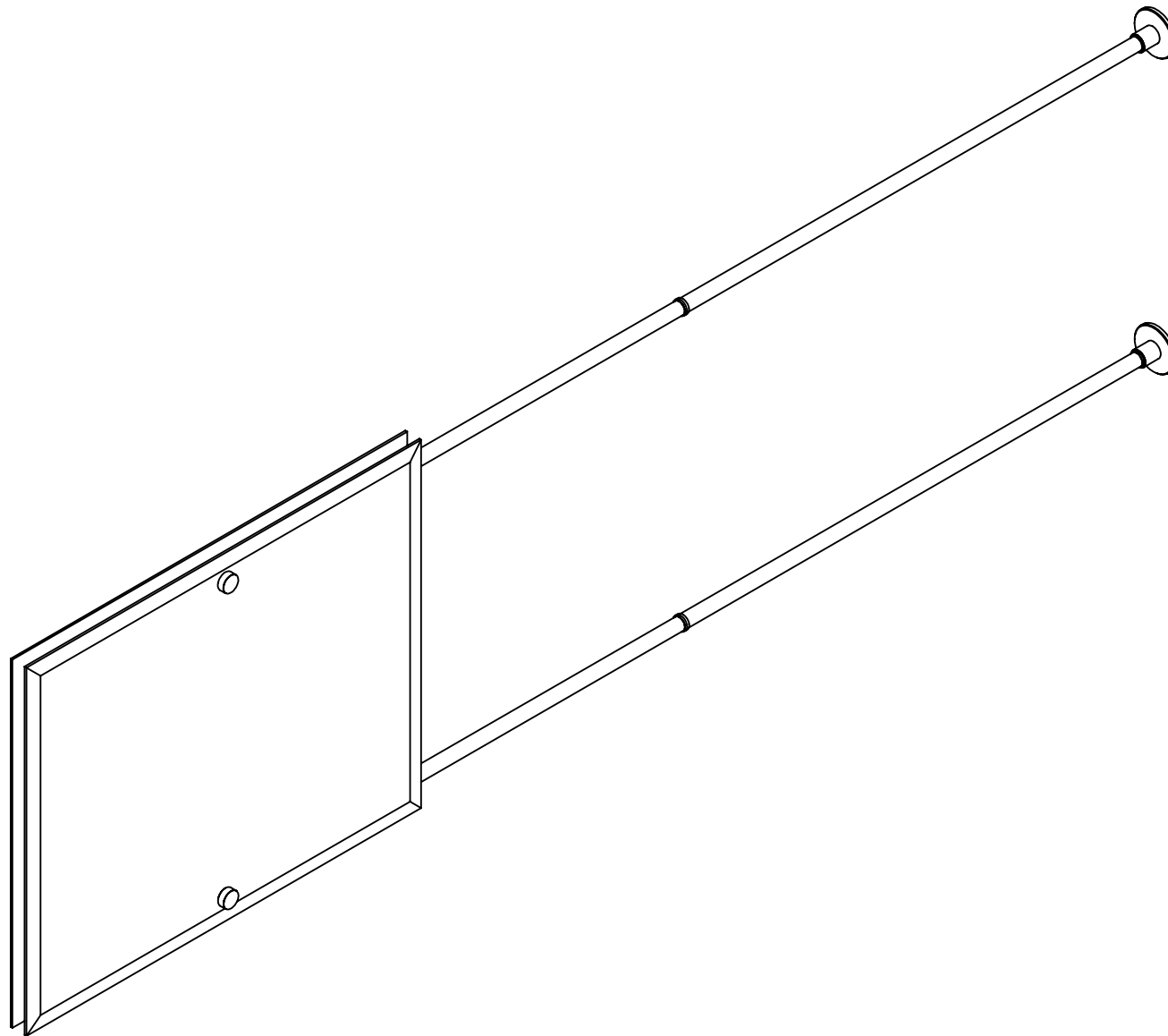


ITEM NO.	PART NUMBER	DESCRIPTION	QTY.
1	CH92-AS001	BOTTOM ASSY	2
2	CH92-AS002	CONNECTOR 2	2
3	TU34-30	LONG TUBE	4
4	CRRD-34	RING	6
5	FRBP	BASE PLATE	2
6	CH-1	BASE TUBE	2
7	MRRT-92	MIRROR	2




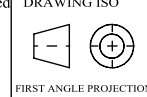
CONFIDENTIALITY/LIMITED LIABILITY STATEMENT
 This document (and any files attached to it) is confidential and intended only for the person or entity to which it is delivered. If you are not the intended recipient, then you have received this document by mistake and any use, dissemination, forwarding, printing or copying of this document and its file attachments is prohibited. Please notify ALLIED BRASS INC. immediately either by telephone or by email, delete the misdirected document from your system and destroy any copies you have made of it. We do not accept any liability for any loss or damage which may arise from your receipt of this document.

UNLESS OTHERWISE STATED			INITIALS	DATE	ITEM	QTY	DRG/PART NO	CLIENT:					
DO NOT SCALE	X.XXX	+/-0.025	DESIGNED	IJM	MATERIAL		BRASS	WEIGHT		FINISH	TBD		
DRAWING	X.XX	+/-0.1	DRAWN	IJM	HEAT TREAT		NA			QUANTITY			
CHAMFER ALL	X	+/-0.25	CHECKED	R. ANDRIS	CUSTOMER				CUSTOMER No	---			
EDGES 0.5X4*		+/-0.75	PROJ.ENG		DESCRIPTION:					DRAWING No.	REV		
DRAWING ISO	ANGLES		SAFETY		CH-92 ASSY						CH-92-AS005 0		
	X.XX	+/-0.05*	APPROVED	R. ANDRIS									
	X.X	+/-0.1*	FILENAME	CH-92-AS005						SCALE	1:9	SHEET: 01	A4
	X	+/-0.5*											
		3.2											
FIRST ANGLE PROJECTION	MACHINED FINISH												



CONFIDENTIALITY/LIMITED LIABILITY STATEMENT
 This document (and any files attached to it) is confidential and intended only for the person or entity to which it is delivered. If you are not the intended recipient, then you have received this document by mistake and any use, dissemination, forwarding, printing or copying of this document and its file attachments is prohibited. Please notify ALLIED BRASS INC. immediately either by telephone or by email, delete the misdirected document from your system and destroy any copies you have made of it. We do not accept any liability for any loss or damage which may arise from your receipt of this document.

UNLESS OTHERWISE STATED			INITIALS	DATE	ITEM	QTY	DRG/PART NO	CLIENT:			
DO NOT SCALE	X.XXX	+/-0.025	DESIGNED	IJM	MATERIAL		BRASS	WEIGHT		FINISH	TBD
DRAWING	X.XX	+/-0.1	DRAWN	IJM	HEAT TREAT		NA	QUANTITY			
CHAMFER ALL	X	+/-0.25	CHECKED	R. ANDRIS	CUSTOMER			CUSTOMER No	---		
EDGES 0.5X4 ^o			PROJ.ENG		DESCRIPTION:				DRAWING No.	REV	
DRAWING ISO			SAFETY		CH-92 ASSY					CH-92-AS005	0
			APPROVED	R. ANDRIS							
			FILENAME	CH-92-AS005				SCALE	1:8	SHEET: 01	A4



ANGLES		
X.XX	+/-0.05*	
X.X	+/-0.1*	
X	+/-0.5*	
		3.2
		MACHINED FINISH