

# MODEL#: **EBA7619PB**

## PRODUCT SPECIFICATION SHEET

**DESCRIPTION:**

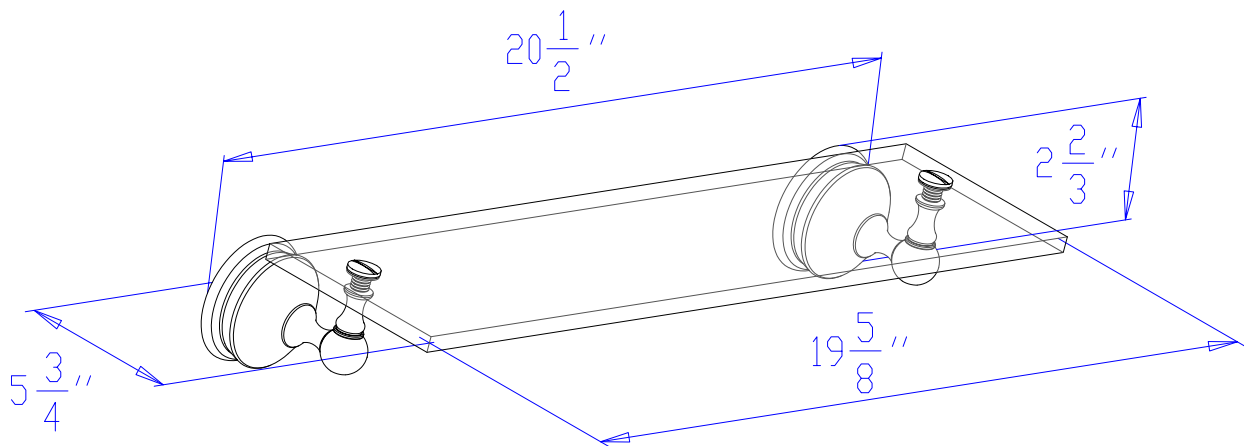
Naples Cosmetic Shelf, Pvd

**CARTRIDGES (If applicable):**

CARTRIDGE TYPE	MODEL #
Hot Cartridge	
Cold Cartridge	
Shared or Single H&C Cartridge	No Cartridge
Diverter (If applicable)	



**Note:** Photo above and Drawing below shows overall style of the product, handle styles may be different to the product model number this specification sheet is referring to.



Cosmetic Shelf