



Westlake™

Description

- Deluxe Chrome Finish
- 1/2" IPS Connections
- Quality Brass Construction
- Single Handle Hot & Cold Control
- Wear Resistant Ceramic Disc Technology
- Detachable Deck Plate For One Hole Installation



Compliance

- Designed to comply with requirements of ASME A112.18.1
- Meets low lead requirements of NSF Standard- 61, Section- 9
- Complies with the requirements of the UPC (Uniform Plumbing Code)
- Complies with ADA (American With Disabilities Act)
- Meets or exceeds CSA B125
- IAPMO (International Association of Plumbing



Listings

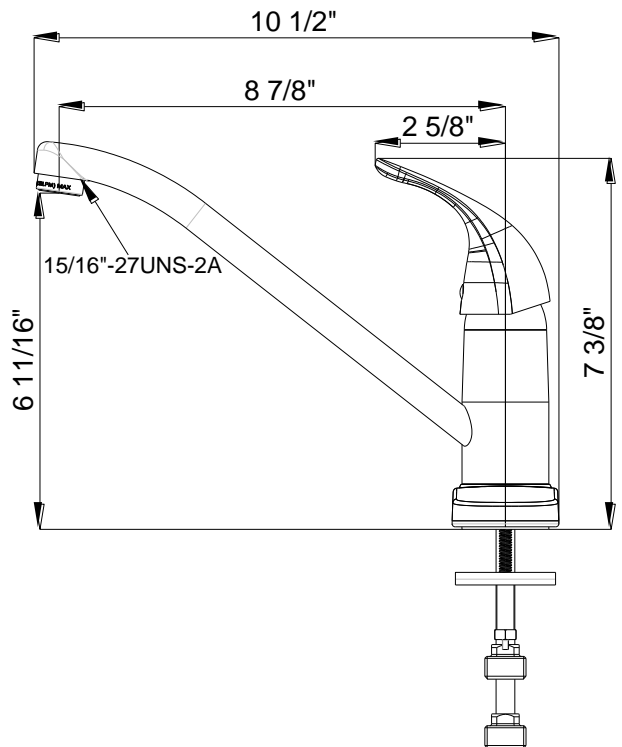
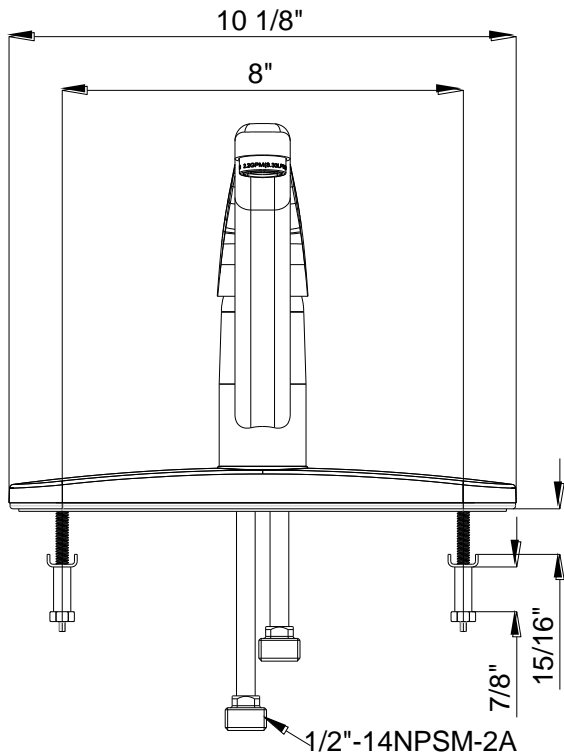
- IAPMO (International Association of Plumbing & Mechanical Officials)
- cUPC (Uniform Plumbing Code & Canadian Uniform Plumbing Code)
- AB 1953 Lead Standard

Warranty

- Limited Lifetime Warranty
Refer to Premier Faucet warranty program for further details and restrictions.

Model 106171

Single Metal Handle Kitchen Faucet
Chrome Plated Finish
Ceramic Cartridge
1/2" IPS Connection

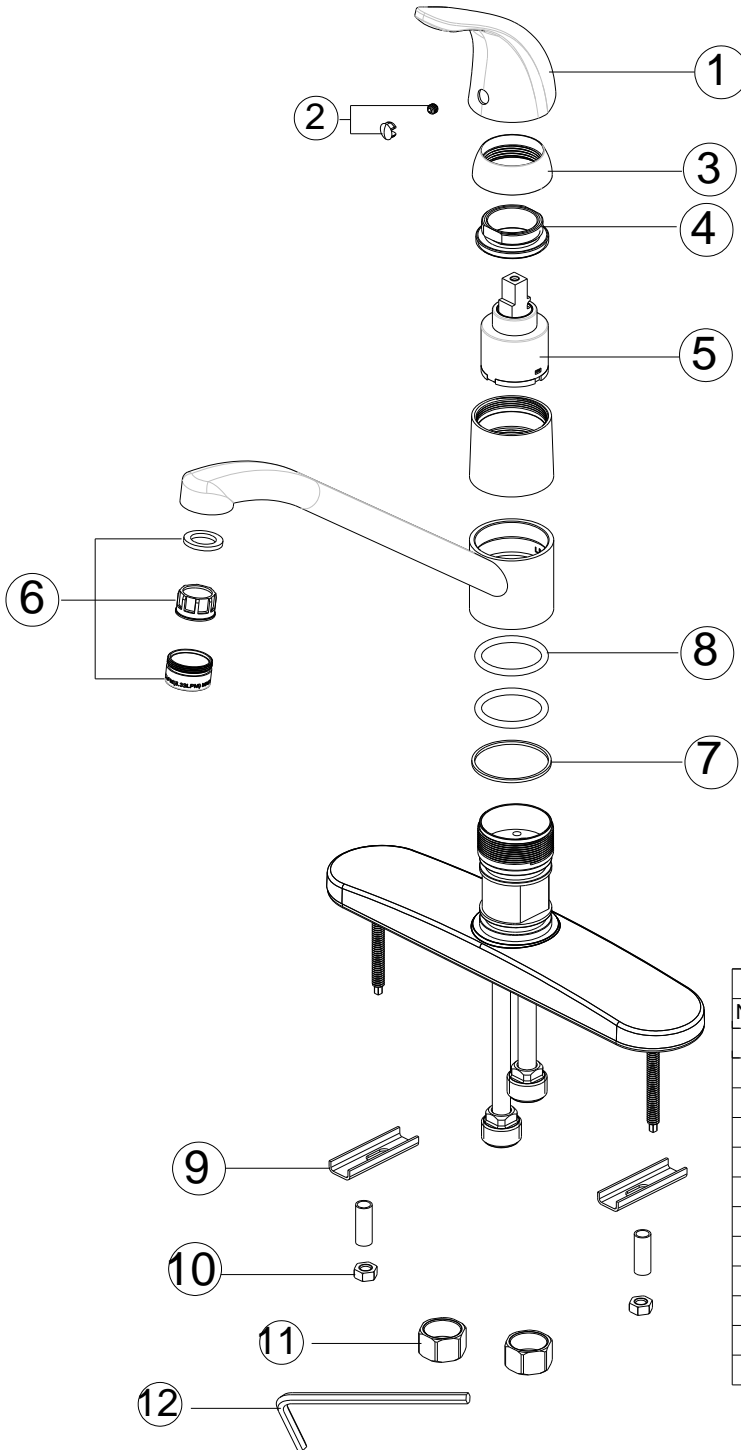


For additional information contact Premier Faucet at 866-745-4010 or visit our website at www.premierfaucet.com



Product Specifications

Westlake™



MODEL NO. 106171			
NO.	PART DESCRIPTION	PART NO.	QTY.
1	Handle Assembly	994175X	1
2	Handle Screw & Index Plug	994197	1
3	Bonnet Cap	192	1
4	Bonnet Nut	994721	1
5	Ceramic Cartridge	994658	1
6	Aerator	193	1
7	Wearable Washer	194	1
8	Spout O-ring	994657	1
9	Cam	191	1
10	Mounting Nut	196	1
11	Coupling Nuts	4CP308	1
12	Handle Wrench	994666	1

For additional information contact Premier Faucet at 866-745-4010 or visit our website at www.premierfaucet.com