



ENGINEERING EXCELLENCE

Motegi Series #3MT166

SPECIFICATION SHEET

DESCRIPTION

- Single Handle Lavatory Faucet
- Metal Lever Handle
- Bent Nose Spout
- 5-5/8" Reach, 7-3/4" from Deck to Aerator
- Ceramic Disc Cartridge with Temperature Limit Stop
- 1-Hole Installation

FINISHES

- PC PVD Polished Chrome
- BN PVD Brushed Nickel
- SS PVD Stainless Steel
- PN PVD Polished Nickel
- PB PVD Polished Brass
- ORB Oil Rubbed Bronze



#3MT166 SHOWN * ADA 

STANDARDS APPLICABLE

- ASME A112.18.1
- ANSI A117.1
- ANSI / NSF 61, SECTION 9
- CUPC / IAPMO LISTED / ADA COMPLIANT
- CONTAINS NO MORE THAN 0.25% WEIGHTED AVERAGE LEAD CONTENT

FLOW

- Aerator Limited to 1.5 GPM



Model #: _____

Specific Features: _____

Project Name: _____

Submitted For: _____

| Model | Description | Finishes | |
|---------|-------------------------------|-----------------------------|----------------------------------|
| #3MT166 | Single Handle Lavatory Faucet | <input type="checkbox"/> PC | <input type="checkbox"/> Other__ |



ENGINEERING EXCELLENCE

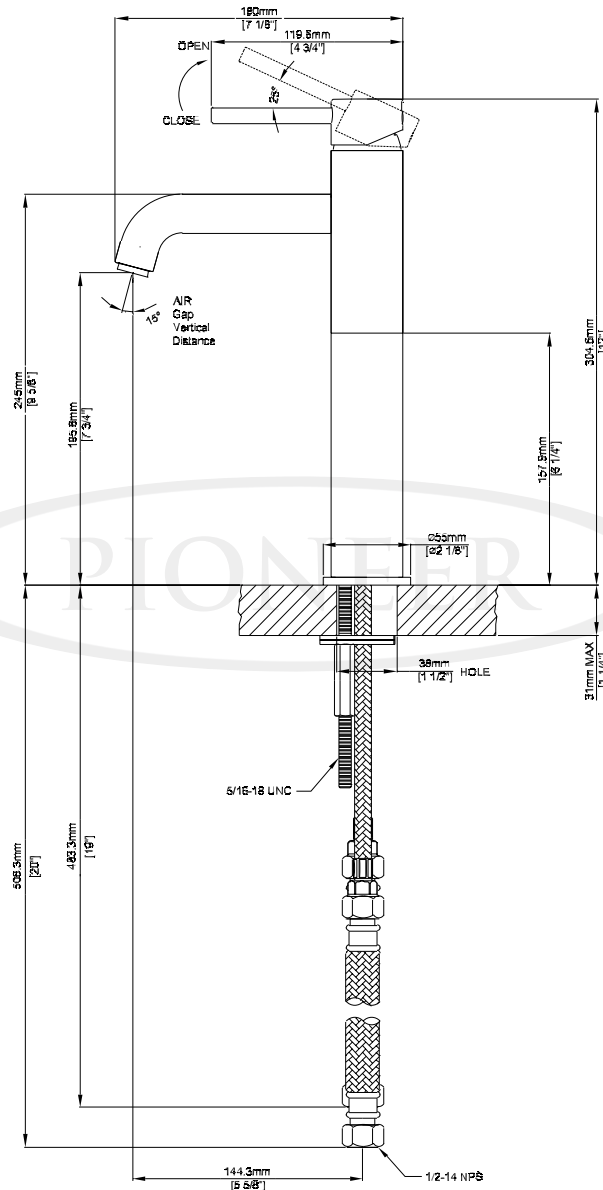
Pioneer:1-800-338-9468
 Commerce, CA 90040
 www.pioneerind.com
 Pioneer Industries, Inc. © 2013

DMSP3MT166/REV. 12 2012
 Page 1 of 2

Installation Note:

Faucet Hole Size:- 1-1/4"

Maximum Deck Thickness:- 1-1/4"



Product Diagram



ENGINEERING EXCELLENCE

Pioneer:1-800-338-9468

Commerce, CA 90040

www.pioneerind.com

Pioneer Industries, Inc. © 2013