



# ENGINEERING EXCELLENCE

Motegi Series #4MT611

SPECIFICATION SHEET

### DESCRIPTION

- Two Handle Roman Tub Set With Handheld Showerhead
- Metal Lever Handles
- Rigid Bent Nose Spout
- 9-3/8" Reach
- Ceramic Disc Cartridges
- 4-Hole 8" to 16" Installation
- Includes Integral Diverter Valve
- Single Function Handheld Showerhead

### FINISHES

- PC PVD Polished Chrome
- BN PVD Brushed Nickel
- SS PVD Stainless Steel
- PN PVD Polished Nickel
- PB PVD Polished Brass



#4MT611 SHOWN \* ADA 

### STANDARDS APPLICABLE

- ASME A112.18.1
- ANSI A117.1
- CUPC / IAPMO LISTED / ADA COMPLIANT

### Note:-

Rough-in valve included.

Model #: \_\_\_\_\_

Specific Features: \_\_\_\_\_

Project Name: \_\_\_\_\_

Submitted For: \_\_\_\_\_

Model	Description	Finishes	
#4MT611	Two Handle Roman Tub Set With Handheld Showerhead	<input type="checkbox"/> PC	<input type="checkbox"/> Other__



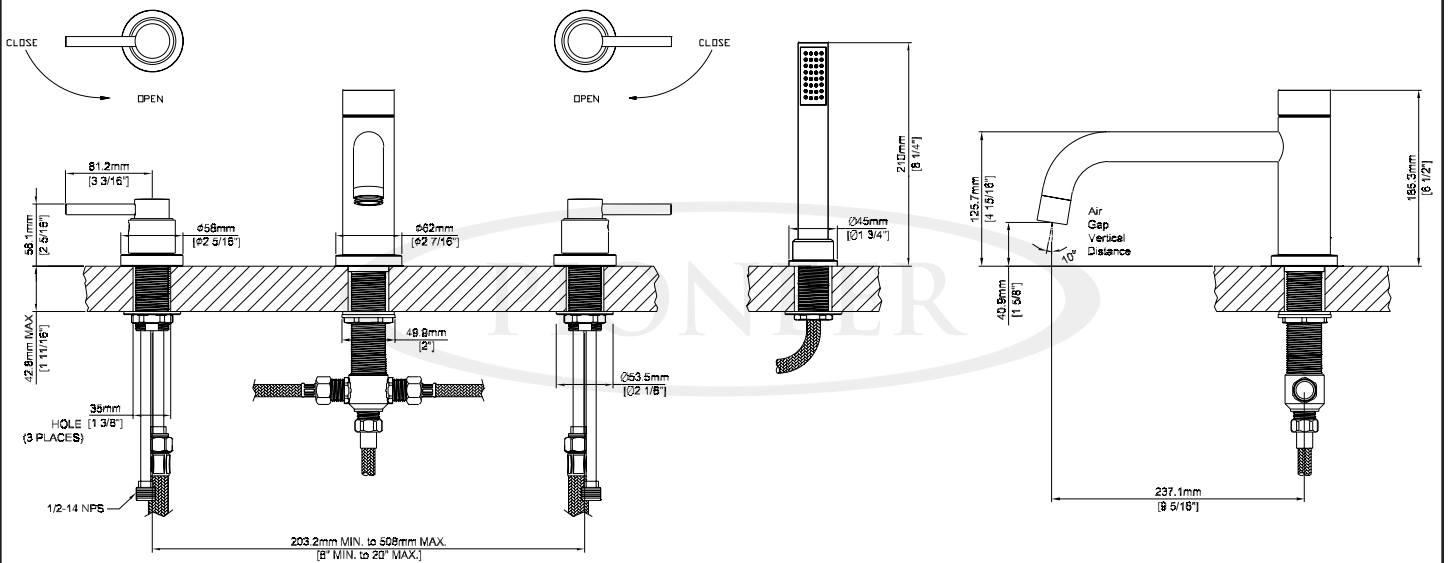
ENGINEERING EXCELLENCE

Pioneer:1-800-338-9468  
 Commerce, CA 90040  
 www.pioneerind.com  
 Pioneer Industries, Inc. © 2013

DMSP4MT611/REV. 12 2012  
 Page 1 of 2

**Installation Note:**

Please refer to Installation Guide For this Product.



**Product Diagram**



ENGINEERING EXCELLENCE

Pioneer: 1-800-338-9468

Commerce, CA 90040

www.pioneerind.com

Pioneer Industries, Inc. © 2013