



ENGINEERING EXCELLENCE

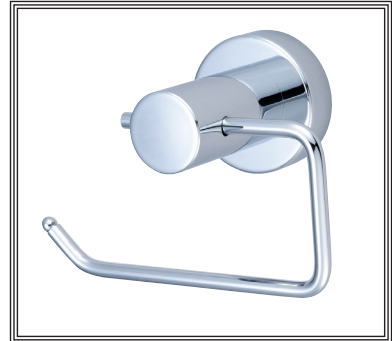
Motegi Series #7MT032 SPECIFICATION SHEET

DESCRIPTION

- Toilet Tissue Holder
- Brass Mount
- Concealed Screw Installation
- Mounting Hardware

FINISHES

- PC PVD Polished Chrome
- BN PVD Brushed Nickel
- PB PVD Polished Brass
- PN PVD Polished Nickel
- SS PVD Stainless Steel
- ORB Oil Rubbed Bronze



#7MT032 SHOWN

Model #: _____

Specific Features: _____

Project Name: _____

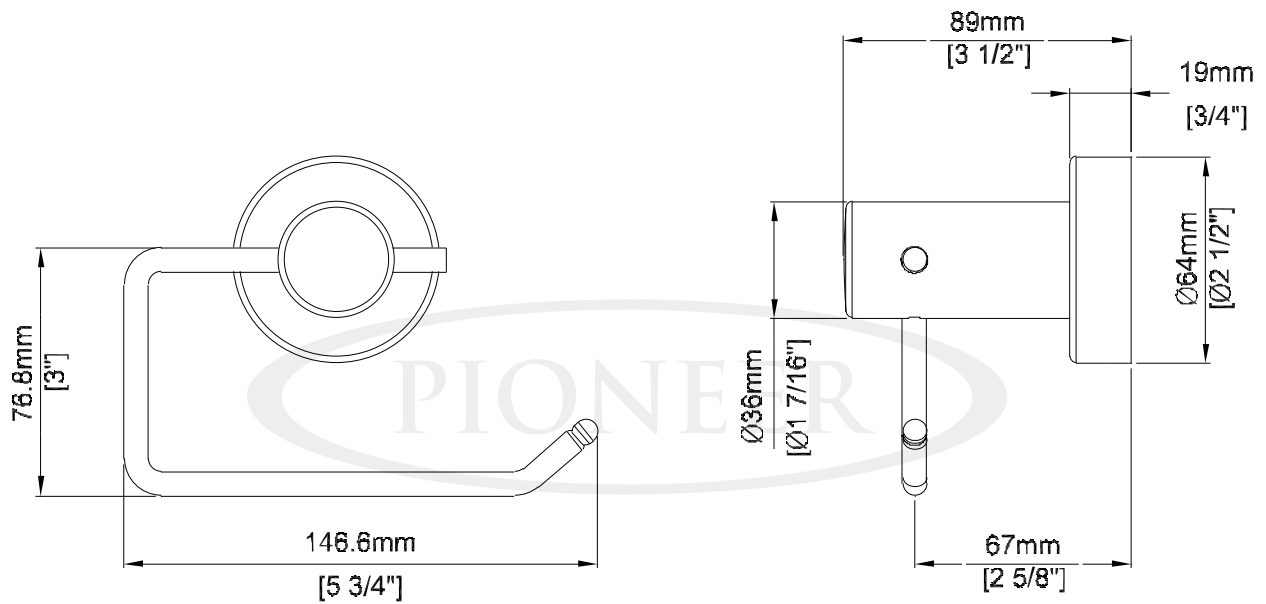
Submitted For: _____

| Model | Description | Finishes |
|---------|----------------------|---|
| #7MT032 | Toilet Tissue Holder | <input type="checkbox"/> PC <input type="checkbox"/> Other ____ |



Installation Note:

Please refer to the Installation Guide for complete installation instructions



Product Diagram



ENGINEERING EXCELLENCE

Pioneer: 1-800-338-9468
 Commerce, CA 90040
 www.pioneerind.com
 Pioneer Industries, Inc. © 2012