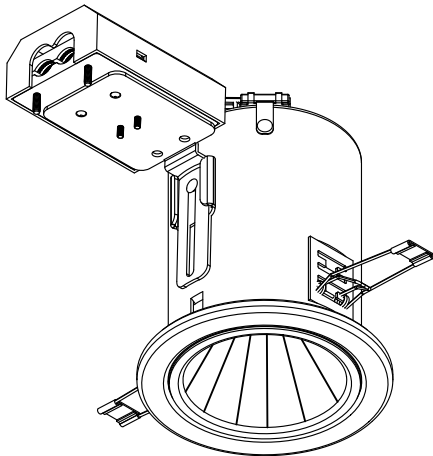


AL12035 - 4" ICAT Line Voltage Downlight



Product Specifications:

Lamp - One 120V max. 35W Aluminum backed MR16 or appropriate LED (not included)

Reccomended LED - Toshiba 300 Series Dimmable 6.5W

Socket - GU10

Thermal Protection - Thermally protected for over-lamping

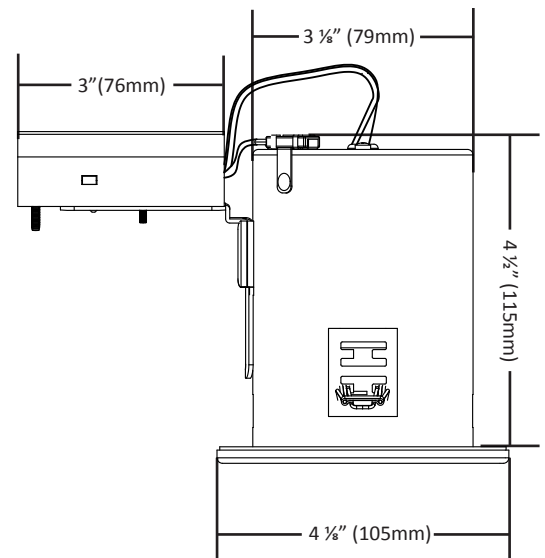
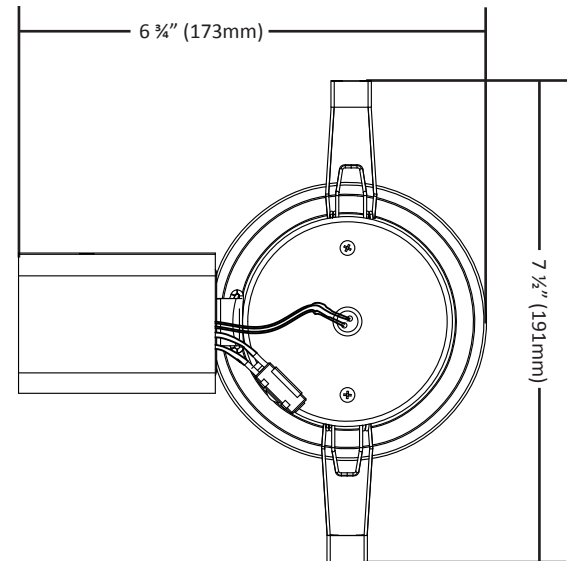
Dimming - Can be used with all standard TRIAC dimmers. LED dimming dependent on lamp.

Junction Box - Constructed of fire-rated plastic. Maximum 2 No. 12 AWG 90°C cables (1 in, 1 out). Armoured Cable adaptor included. 5 wire cable connection terminal. Approved for feed-through wiring. Double insulated fixture, no grounding required.

Housing - IC rated. Air Tight as per ASTM E283 Standard. Adjustable butterfly clips for ceiling material thicknesses of 1/4" to 1 1/4". Powder coated steel construction. Approved for use in damp locations.

Trim - Round. Non-directional. Finishes available: White (WH), Brushed Steel (BS), Powder Coated.

Cut Out Hole Diameter - 3 5/8" (92mm)



Project:

Product Code: (Please circle desired finish)

AL12035 - WH BS

Twice Bright Lighting Co. Ltd.

186-8120, No. 2 Road, Suite 238 · Richmond, BC · Canada · V7C 5J8
 (778) 297-2121 · (888) 484-7295 · info@twicebright.com · www.twicebright.com