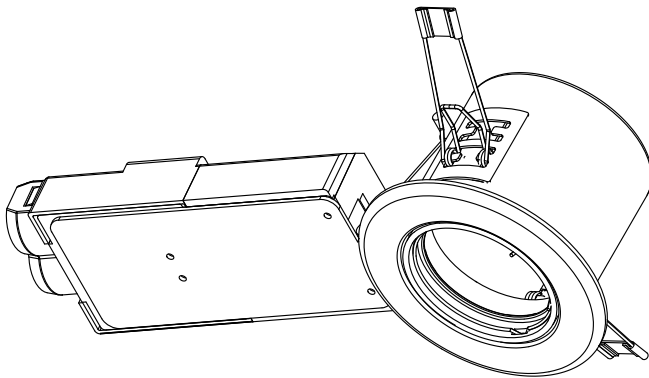


twicebright

CL1220TI - 3" ICAT Low Voltage Downlight



Product Specifications:

Lamp - One 12V 20W Aluminum backed MR16 or appropriate LED (not included)

Recommened Lamps - Philips Energy Advantage 20W IR
Toshiba 300 Series 6.7W LED

Socket - Ceramic bi-pin GX5.3

Thermal Protection - Thermally protected for over-lamping

Transformer - Electronic transformer model WTN20-1. Input 120VAC 60Hz. Maximum 20W. Surge protection. Overload & short circuit protection. High temperature protection.

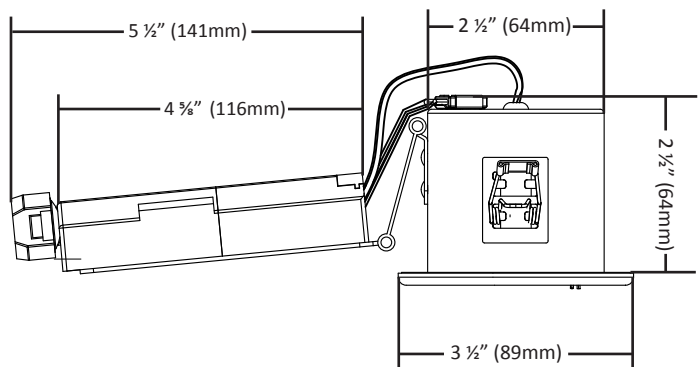
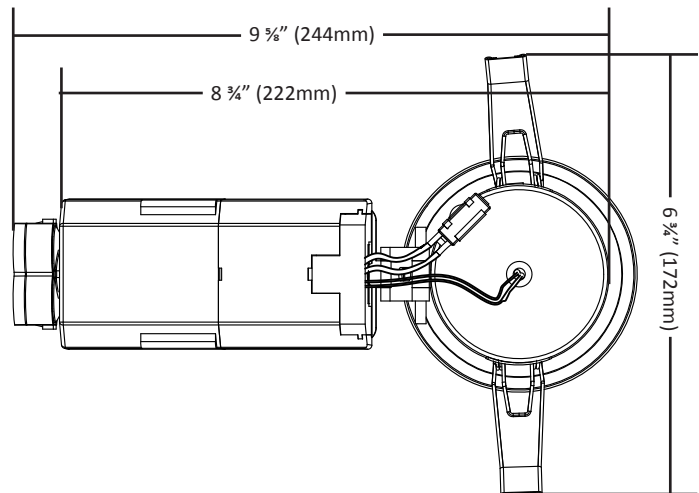
Dimming - Can be used with all dimmers designed for use with electronic transformers. LED dimming dependent on lamp.

Junction Box - Constructed of fire-rated plastic. Maximum 2 No. 12 AWG 90°C cables (1 in, 1 out). Armoured Cable adaptor included. 5 wire cable connection terminal. Approved for feed-through wiring. Double insulated fixture, no grounding required.

Housing - IC rated. Air Tight as per ASTM E283 Standard. Adjustable butterfly clips for ceiling material thicknesses of ¼" to 1 ¼". Powder coated steel construction. Approved for use in damp locations.

Trim - Round. Gimbal trim (35°). Finishes available: White (WH), Chrome (CH), Brushed Steel (BS), Bronze (BZ), Black (BL). Powder Coated. Lamp secured with wire retaining clip.

Cut Out Hole Diameter - 3" (76mm)



Project:

Product Code: (Please circle desired finish)

CL1220TI - WH CH BS BZ BL

Twice Bright Lighting Co. Ltd.

186-8120, No. 2 Road, Suite 238 · Richmond, BC · Canada · V7C 5J8
(778) 297-2121 · (888) 484-7295 · info@twicebright.com · www.twicebright.com