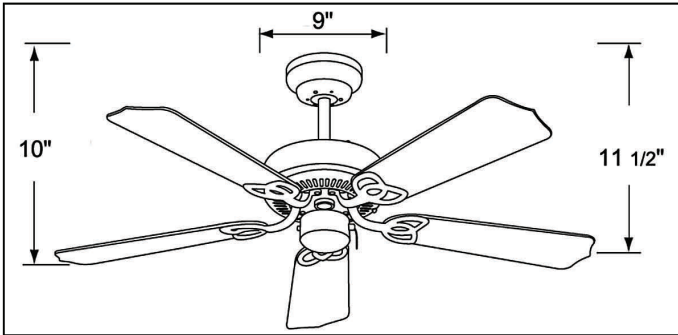
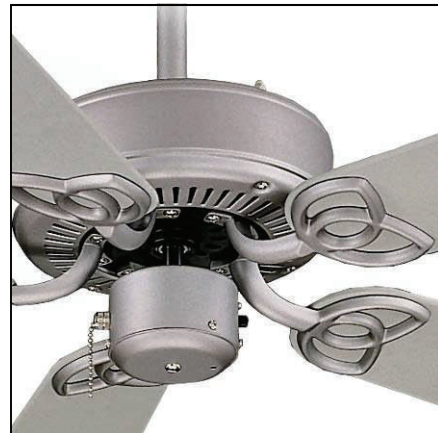


1016W—Sunset



- Blade Sweep: 42"
- No. of Blades: 5
- Lead Wire: 52"
- Dimensions:
 - A: 10"
 - B: 11 1/2"
 - C: 9"
- Motor Size: 153mm
- Speeds: 3 / Reversible
- Speed Range (RPM): 100 - 225
- CFM: 3300 - 7600
- Blade Pitch: 12°
- Watts: 50
- Amps: .40
- Capacitors: 3
- Warranty: Lifetime
- UL listed
- Available Finishes:
 - Brushed Pewter
 - White
- Features:
 - Wet Location Listed (With ABS Blades)
 - Light Kit Adaptable



Project:
Contact:
Location:
Fixture Type:

Quantity	Remarks