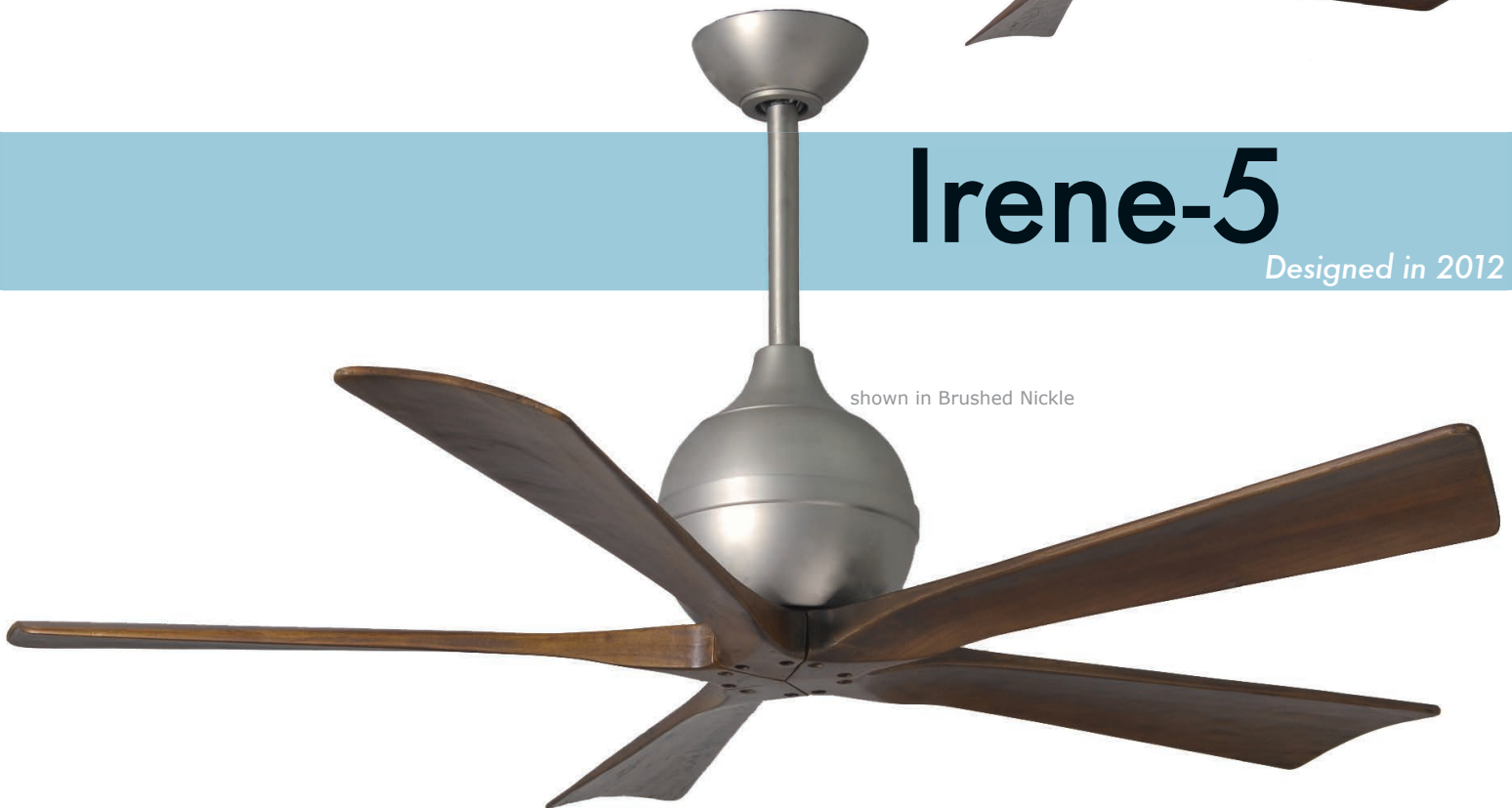




shown in Textured Bronze



shown in Polished Chrome



shown in Brushed Nickel

Irene-5

Designed in 2012

Cutting a figure like no other, Irene-5, designed in 2012, is rustic, yet strikingly modern.

Irene-5 is inspired by the golden age of aviation with five neatly joined propeller-shaped, solid walnut-stained wooden blades. A spherical motor housing complements its minimal profile. Irene-5 is streamline while still appearing warm and natural.

- 52" diameter with five solid wood, walnut-stained machine-cut blades.
- Energy efficient six speed, reversible DC motor with new, reliable technology.
- Damp location finishes: brushed nickel, polished chrome or textured bronze.
- Constructed of cast aluminum and heavy stamped steel.
- Limited Lifetime Warranty
- Standard equipment:
 - One downrod of 5", 10", 20" or 30". 48" and 72" downrods are also available.
 - Vaulted ceiling mount canopy up to 29 degrees. Option for greater slant available.
 - Reverse on hand-held, wall-mountable remote control.



MATTHEWS

FAN COMPANY

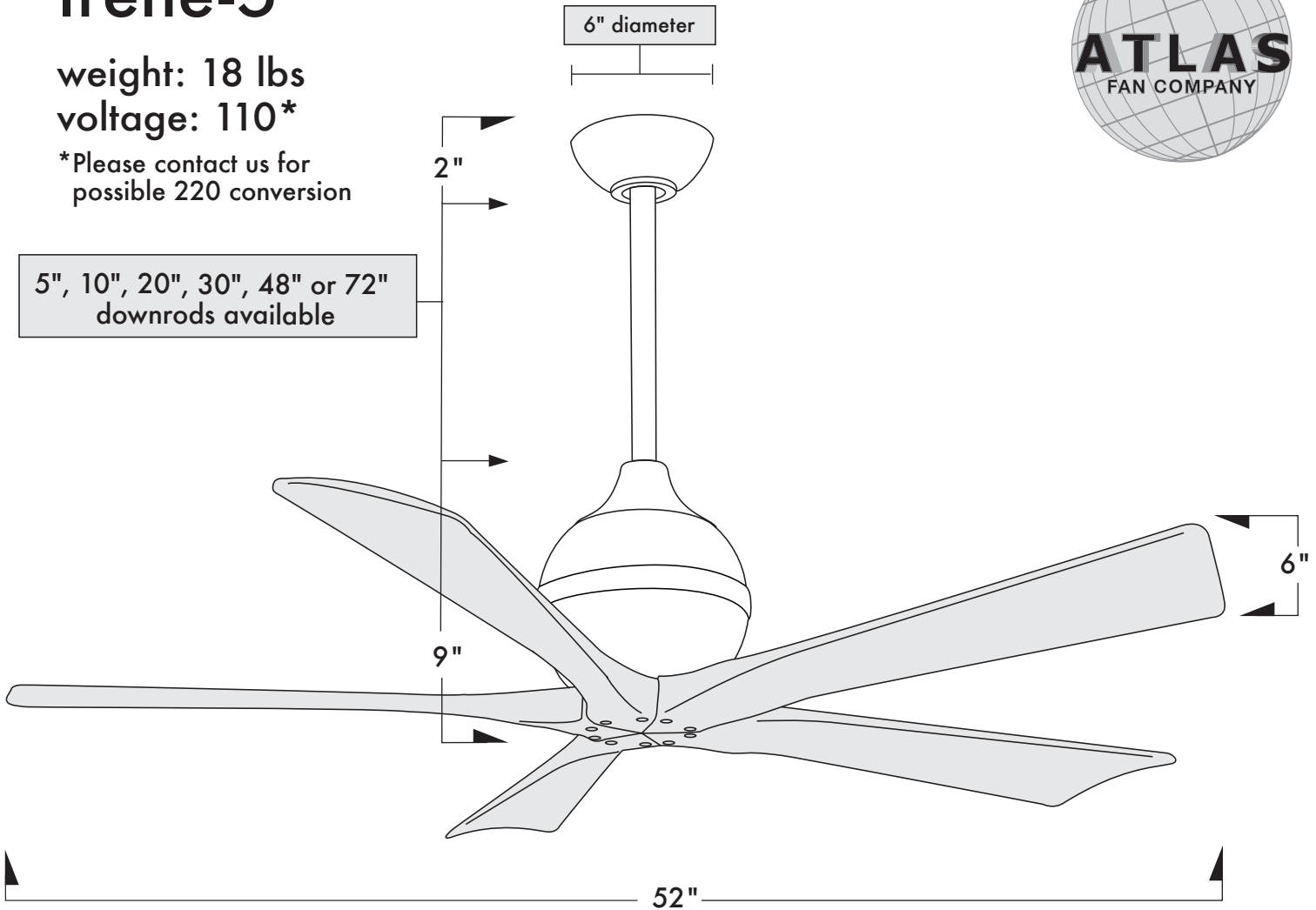


Irene-5

weight: 18 lbs
voltage: 110*

*Please contact us for possible 220 conversion

5", 10", 20", 30", 48" or 72"
downrods available



SKU Naming Convention	
IR5-XX (Model-Finish)	
Finishes	
Brushed Nickel	- BN
Polished Chrome	- CR
Textured Bronze	- TB

CFM: 6561

The Irene-5 is compatible with flat or vaulted ceilings and can be mounted with any one of the following downrod lengths: 5", 10", 20", 30", 48" and 72" .



The Irene-5 is compatible with vaulted ceilings mount canopy up to 29 degrees. Option for greater slant available.



**Damp location: All standard finishes
Not recommended for salt water / ocean front applications