

	Safety cages available for low ceilings.
	Damp Location: All Finishes with Metal Blades**
	

shown in Textured Bronze with metal blades and decorative guard

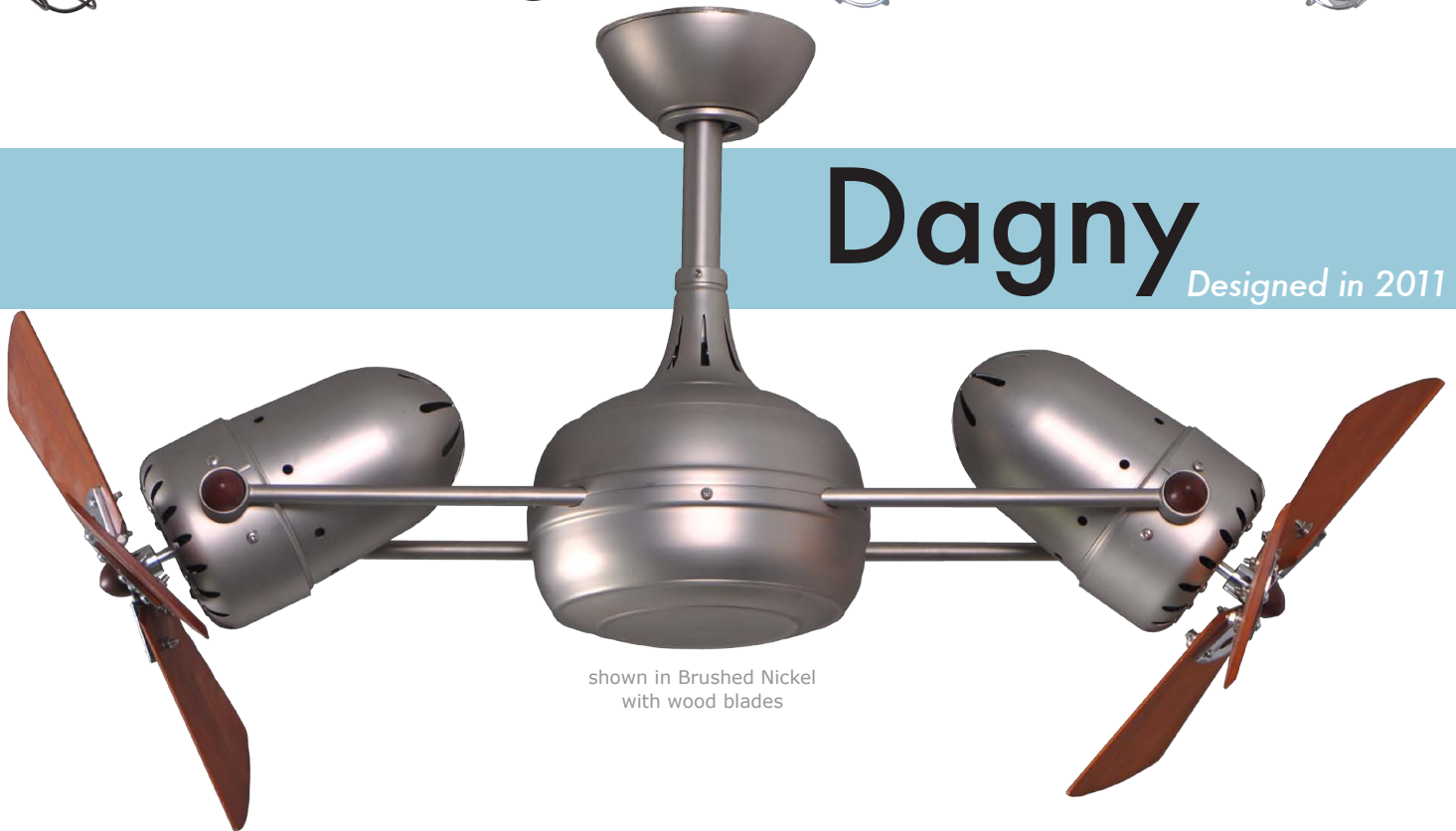


shown in Polished Chrome with metal blades and decorative guard



Dagny

Designed in 2011



shown in Brushed Nickel with wood blades

The double-headed rotational ceiling fan, Dagny, with cylindrical central housing and straight, parallel arms, is designed in the retrospective aesthetic. The Dagny offers fluid lines and quiet axial rotation. The motor heads can be infinitely positioned in 180-degree arcs for optimum air movement; the greater the angles of the motors to the horizontal support rods (up or down), the faster the axial rotation. A slow, controlled axial rotation is achieved by both motor head position and fan blade speed. Matthews rotational fans circulate heat and air-conditioning more efficiently than traditional paddle fans.

- The Dagny is available in the following finishes: polished chrome, brushed nickel or textured bronze.
- Constructed of cast aluminum and heavy stamped steel, the Dagny carries a limited lifetime warranty.
- The Dagny is available with the following blade options:
 - hand-balanced metal blades with decorative metal blade guards
 - hand-balanced metal blades with metal safety cages for low ceiling applications
 - hand-balanced solid wood blades without blade guards
- The Dagny comes with this standard equipment:
 - 3-speed remote control
 - vaulted ceiling canopy

MATTHEWS

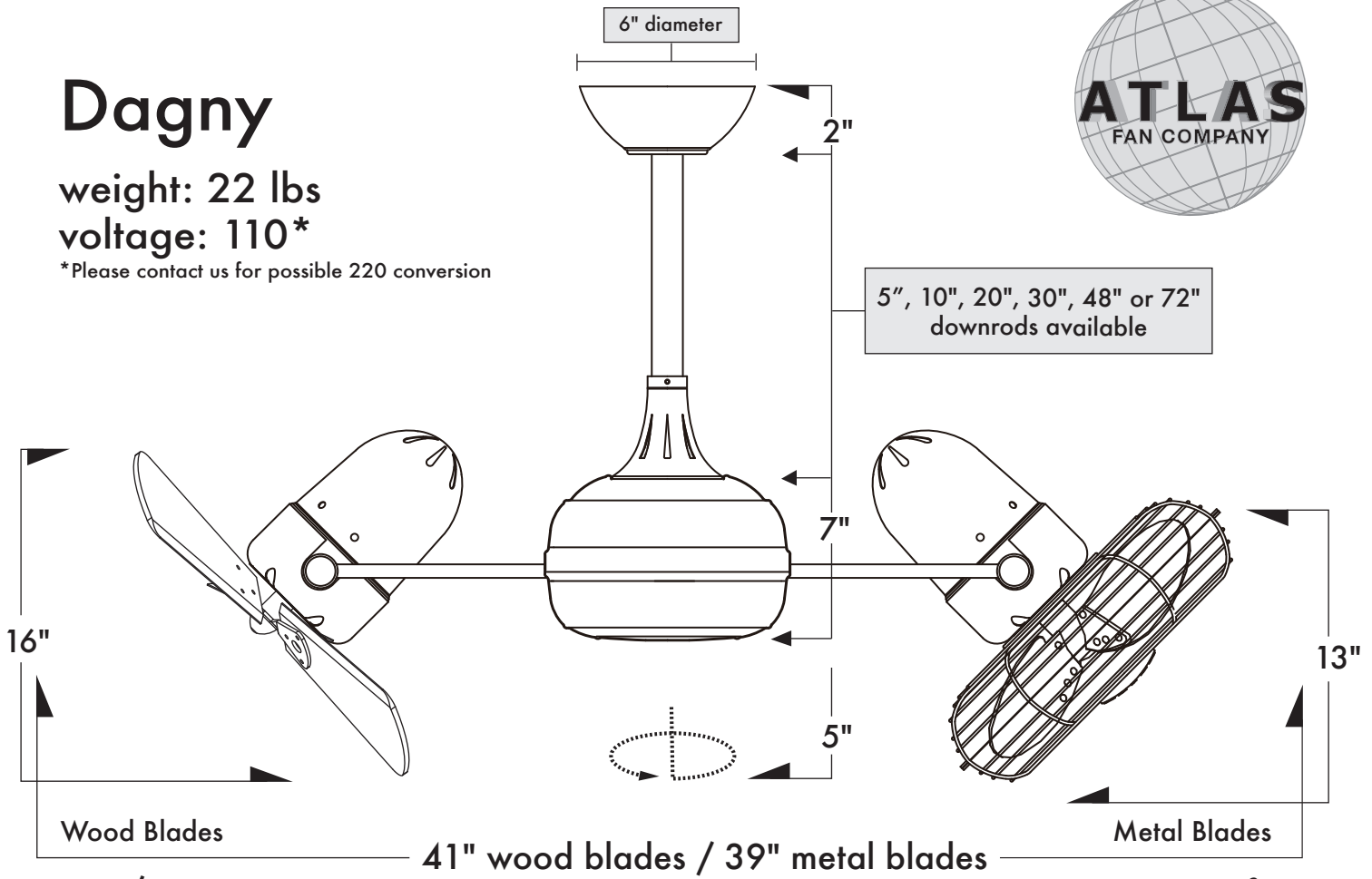
FAN COMPANY



Dagny

weight: 22 lbs
voltage: 110*

*Please contact us for possible 220 conversion



Increasing Angles of Fan Heads to Support Poles Increases Speed of Axial Rotation
Optimum Fan Head Position is 60°

CFM: 6174
(Wood Blades)

SKU Naming Convention			
DG-XX-XXX (Model-Finish-Blade Type)			
Finishes		Blade Type	
Brushed Nickel - BN	Wood	- WD	
Polished Chrome - CR	Metal w/ Decorative Cage	- MTL	
Textured Bronze - TB	Metal w/ Safety Cage	- MSAF	

CFM: 4994
(Metal Blades)

The Dagny can be mounted with any one of the following downrod lengths: 5, 10, 20, 30, 48 or 72".

The Dagny is compatible with flat or vaulted ceilings.

Safety cages available for low ceiling applications.

**Damp location: All standard finishes with metal blades.
Not recommended for salt water / ocean front applications.



**Damp Location