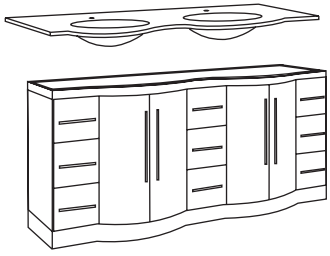


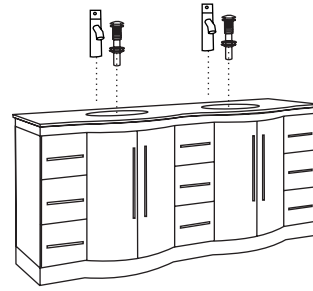
## MODEL:DEC023

NO.	ASSEMBLY NAME	QUANTITY	NO.	ASSEMBLY NAME	QUANTITY
(1)	CABINET	1	(6)	TRESTLE	1
(2)	HANDLE	13	(7)	JUNCTION	4
(3)	BASIN	1	(8)	MIRROR	1
(4)	POP-UP WASTE	2	(9)	SCREW	2
(5)	FAUCET	2	(10)	SELF-TAPPING SCREW	2

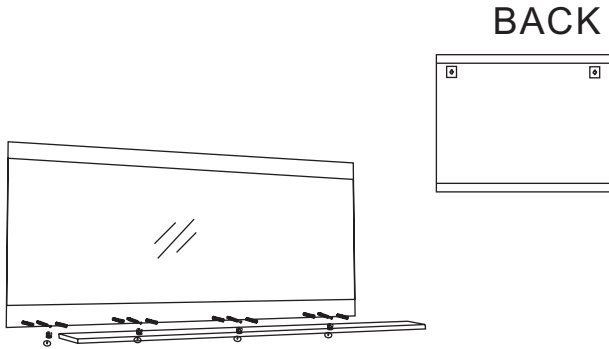
1



2



3



4

