

FEATURES

- Single threshold for alcove installation.
- Installation for new and existing construction
- 100% solid surface material.
- Low threshold minimalist design is only 3" high for easy entry and exit. Must specify drain location: center, left or right hand
- Features a concealed drain with removable cover that brings both a design element and comfort to your shower experience. Lift-off cover allows for easy cleaning.
- 10 Year Limited Residential Warranty / 3 Year Commercial Warranty

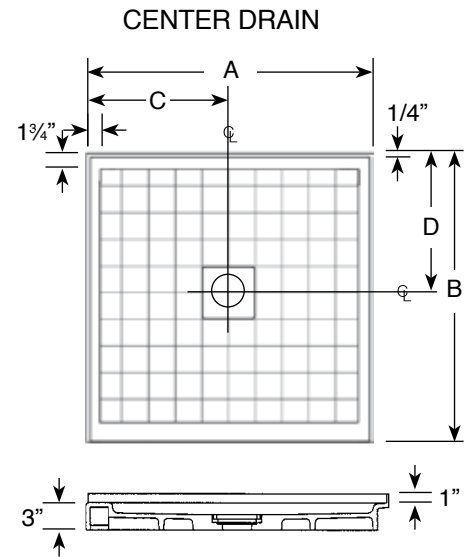
COLORS

- 4 Transition colors with 2 1/4" x 2 1/4" tile pattern.
- 4 Classic colors with 2 1/4" x 2 1/4" tile pattern.

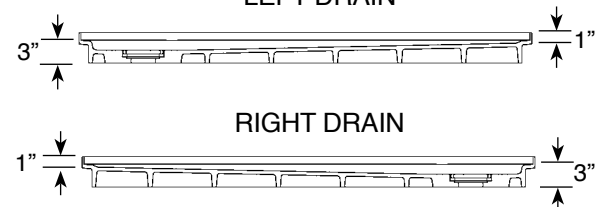
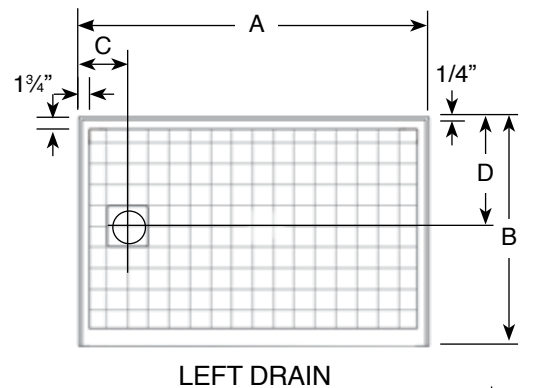


Specified Model

	SIZE	MODEL NO.	A	B	C	D	HT.
CENTER DRAIN							
<input type="checkbox"/>	36" x 36"	F3636	36"	36"	18"	18"	3"
<input type="checkbox"/>	48" x 34"	F4834	48"	34"	24"	17"	3"
<input type="checkbox"/>	60" x 36"	F6036	60"	36"	15"	18"	3"
LEFT (L) or RIGHT (R) DRAIN							
<input type="checkbox"/>	60" x 30"	F6030L	60"	30"	8 1/2"	15"	3"
<input type="checkbox"/>	60" x 30"	F6030R	60"	30"	8 1/2"	15"	3"
<input type="checkbox"/>	60" x 32"	F6032L	60"	32"	8 1/2"	16"	3"
<input type="checkbox"/>	60" x 32"	F6032R	60"	32"	8 1/2"	16"	3"

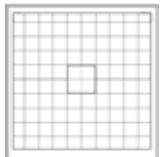


Tub Replacement
LEFT or RIGHT DRAIN




To Be Specified: Color (see below)

2 1/4" Square Tile Pattern / Colors



<input type="checkbox"/>	91 White Carrara	<input type="checkbox"/>	01 White
<input type="checkbox"/>	92 Silver Mocha	<input type="checkbox"/>	08 Biscuit
<input type="checkbox"/>	94 Sand Mountain	<input type="checkbox"/>	67 Matrix Khaki
<input type="checkbox"/>	96 Almond Sky	<input type="checkbox"/>	86 Sea Shore

Compliance Certifications - Meets or Exceeds the Following Specifications

- IGC 154-2012
- ASME A112.18.1 / CSA B125.125.1-11
- IAPMO 
- cUPC®