



FEATURES

- 33" x 23" x 9½" equal double bowls.
- Top mount kitchen sink. The rim of the sink sits on the countertop.
- Transolid silQ®granite sinks are by made with the union of natural granite and acrylic resin. The result gives our sinks high resistance to high temperatures, scratches, dents and chips, as well as impacts and violent shocks.
- The non-porous surface is resistant to bacteria growth and reduces the need for cleaning with harsh chemicals and is 100% food safe.
- 10 Year Limited Residential Warranty
3 Year Commercial Warranty

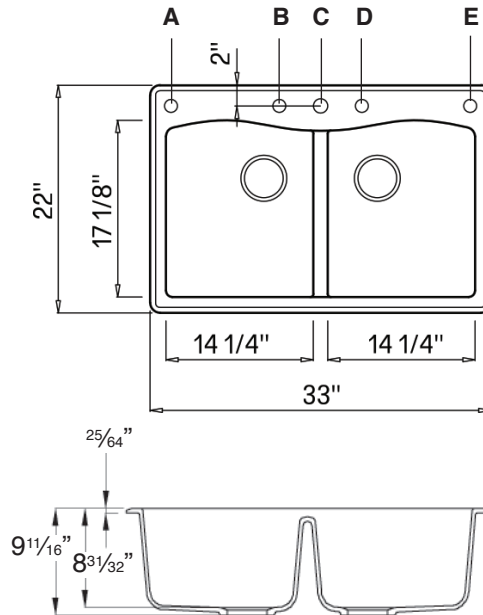
COLORS

- 5 Colors



Specified Model

Model	ATDE3322
Overall Dimensions	L33" x W22" x D9½"
Left Bowl Dimensions	L14¼" x W17⅛" x D8¾"
Right Bowl Dimensions	L14¼" x W17⅛" x D8¾"
Faucet Holes	up to 5 - must specify number of holes and hole location(s).
Shipping Weight	50 lbs.
Material	Granite
Installation	countertop mounted
Required	2 basket strainers not supplied



To Be Specified:

	COLOR
<input type="checkbox"/>	01 White
<input type="checkbox"/>	09 Black
<input type="checkbox"/>	12 Espresso
<input type="checkbox"/>	16 Cafe Latte
<input type="checkbox"/>	17 Grey

IMPORTANT: Circle Letter(s) above to indicate location(s) for faucet hole drillings (there is a 4" spread between hole locations B,C,D. There is a 10^{33/64}" spread between hole locations A and B and D and E).