



FEATURES

- 31<sup>3</sup>/<sub>4</sub>" x 19<sup>1</sup>/<sub>4</sub>" x 9<sup>1</sup>/<sub>2</sub>" double bowls. J-shape small bowl. Sink as low 4-1/2" high divider.
- Under counter mount kitchen sink. The rim of the sink is under neath the countertop.
- Transolid silQ®granite sinks are by made with the union of natural granite and acrylic resin. The result gives our sinks high resistance to high temperatures, scratches, dents and chips, as well as impacts and violent shocks.
- The non-porous surface is resistant to bacteria growth and reduces the need for cleaning with harsh chemicals and is 100% food safe.
- 10 Year Limited Residential Warranty  
3 Year Commercial Warranty

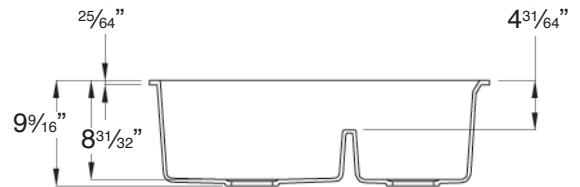
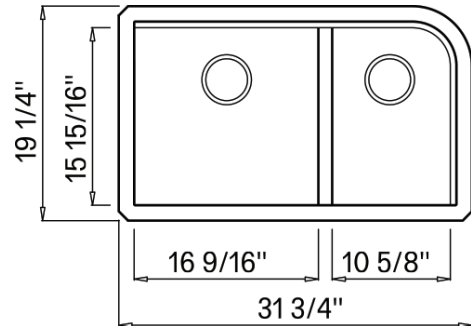


COLORS

- 5 Colors

Specified Model

|                       |   |
|-----------------------|---|
| Model                 | <b>RUDJ3118</b>   |
| Overall Dimensions    | L31 <sup>3</sup> / <sub>4</sub> " x W19 <sup>1</sup> / <sub>4</sub> " x D9 <sup>1</sup> / <sub>2</sub> "      |
| Left Bowl Dimensions  | L16 <sup>9</sup> / <sub>16</sub> " x W15 <sup>15</sup> / <sub>16</sub> " x D8 <sup>31</sup> / <sub>32</sub> " |
| Right Bowl Dimensions | L10 <sup>5</sup> / <sub>8</sub> " x W15 <sup>15</sup> / <sub>16</sub> " x D8 <sup>31</sup> / <sub>32</sub> "  |
| Faucet Holes          | 0   |
| Shipping Weight       | 48 lbs.   |
| Material              | Granite   |
| Installation          | under counter mounted   |
| Required              | 2 basket strainers not supplied   |



To Be Specified:

|                          | COLOR         |
|--------------------------|---------------|
| <input type="checkbox"/> | 01 White      |
| <input type="checkbox"/> | 09 Black      |
| <input type="checkbox"/> | 12 Espresso   |
| <input type="checkbox"/> | 16 Cafe Latte |
| <input type="checkbox"/> | 17 Grey       |

KITCHEN SINKS