

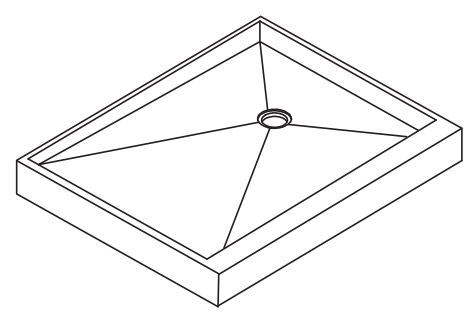
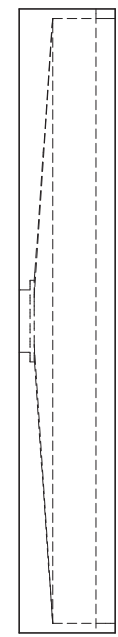
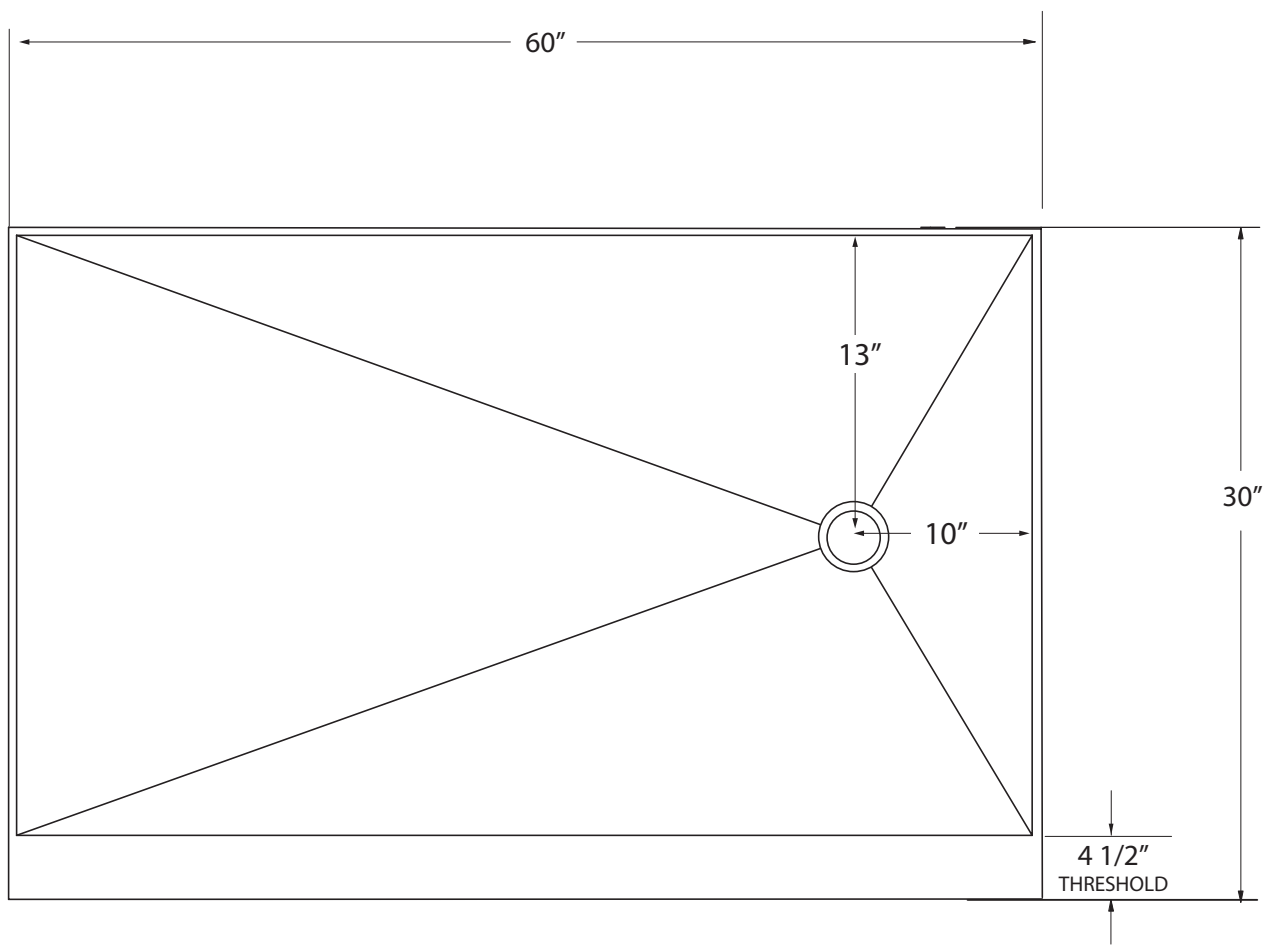
E

D

C

B

A



SCALE 1:25

NOTES:

DO NOT USE ANY PRODUCT SPECIFICATIONS TO BEGIN INSTALLATION BEFORE RECEIVING PRODUCT. THESE SPECIFICATION SHEETS ARE FOR REFERENCE ONLY. USE ACTUAL PRODUCT MEASUREMENTS ONLY. (OVERALL DIMENSION TOLERANCE IS +/- 1/4")

UNLESS OTHERWISE SPECIFIED DIMENSIONS ARE IN INCHES. TOLERANCES ARE  
 X.X = ± 0.1 FRACTIONAL = ± 1/4"  
 X.XX = ± 0.01 ANGULAR = ± 1/2"  
 X.XXX = ± 0.005



SHOWER PAN

	NAME	DATE
DRAWN		7/17/2014
CHECKED		
ENG. APPR.		

SIZE <b>A</b>	PRT. NO. S603004XX-RH	REV <b>D</b>
SCALE: 1:10	FINISH: ALL	SHEET 1 OF 1

1

2

3

4

5