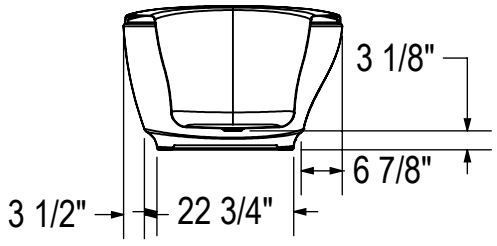
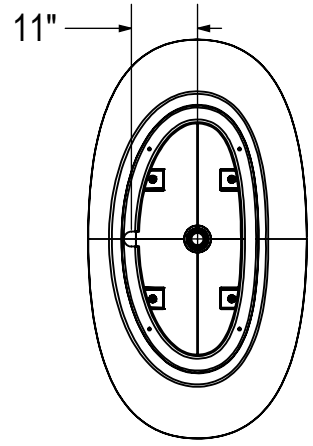
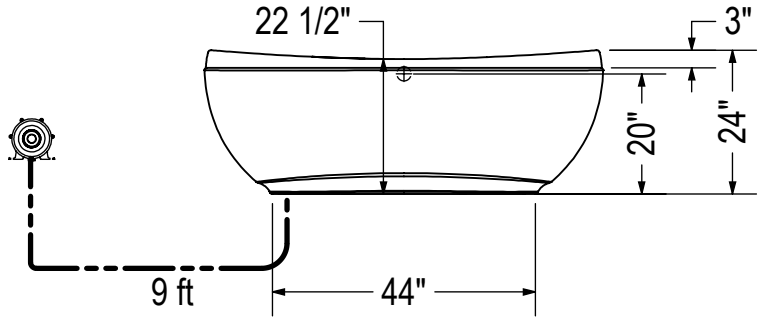
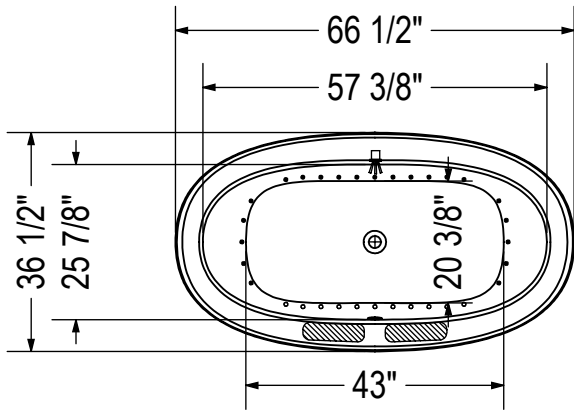


AIR SYSTEM



- (●) : Indicates airjets positioning
- (📡) : Indicates chromatherapy light positioning
- (📏) : Recommended faucet area 2 sections of 10" (L) x 3" (W).

All dimensions are approximate. Structure measurements must be verified against the unit to ensure proper fit.