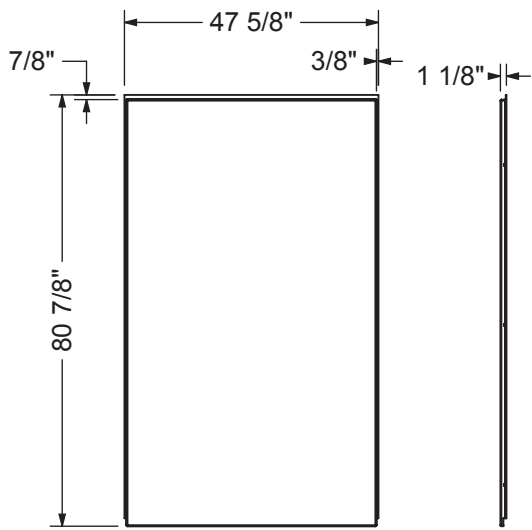
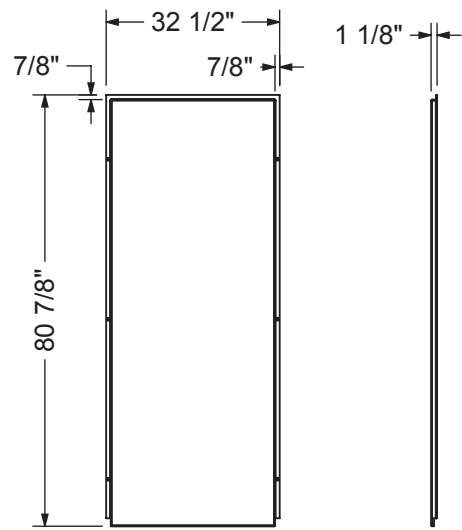


BACK WALL

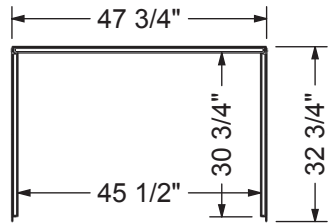


SIDE WALL

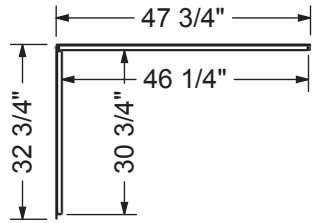


TOP VIEW (ASSEMBLED)

ALCOVE



CORNER



This product is designed to be installed in a building that conforms with the requirements of the National Building Code of Canada 2005

All dimensions are approximate. Structure measurements must be verified against the unit to ensure proper fit.