

HALO LED ICAT HOUSING for NEW CONSTRUCTION

The H750ICAT is a dedicated LED new construction housing to be used with designated HALO LED modules. The H750ICAT is designed for insulated ceilings and can be in direct contact with ceiling insulation*. This AIR-TITE housing design prevents airflow between conditioned and unconditioned spaces and saves on both heating and air conditioning costs. The LED connector system provides high efficacy code compliance when used with designated HALO LED modules and trims.

| | | |
|-------------|--|------|
| Catalog # | | Type |
| Project | | |
| Comments | | Date |
| Prepared by | | |

DESIGN FEATURES

Housings

Aluminum construction for greater heat dissipation. H750 ICAT housing is gasketed to prevent airflow from heated or air conditioned spaces.

Plaster Frame

Galvanized steel frame. Housing adjusts in plaster frame to accommodate up to 1" ceiling thickness. Regressed locking screw for securing hanger bars. Cutouts included for easily crimping hanger bars in position

Slide-N-Side™ Junction Box

- Positioned to accommodate straight conduit runs.
- Seven 1/2" trade size conduit knockouts with true pry-out slots.
- Slide-N-Side wire traps allow non metallic sheathed cable to be installed without tools and without removing knockouts.
- Allows wiring connections to be made outside the box.
- Simply insert the cable directly into the trap after connections are made.
- Accommodates the following standard non-metallic sheathed cable type:
 - U.S. #14/2, #14/3, #12/2, #12/3
 - Canada: #14/2, #14/3, #12/2

GOT NAIL! Pass -N-Thru™ Bar Hangers

Bar Hanger features include

- Pre-installed nail easily installs in regular lumber, engineered lumber and laminated beams.
- Safety and Guidance system prevents snagging, ensures smooth, straight nail penetration and allows bar hangers to be easily removed if necessary
- Automatic leveling flange aligns the housing and allows holding the housing in place with one hand while driving nails.
- Housing can be positioned at any point within 24" joist spans
- Score lines allow tool-free shortening for 12" joists and bar hangers do not need to be removed for shortening.
- Bar hangers may be repositioned 90° on plaster frame
- Integral T-bar clip snaps onto T-bars – no additional clips are required.

LED Module Connection

Halo LED modules simply install with a plug-in 120V-277V rated line voltage wiring connector (UL and CSA Listed Luminaire Disconnect). This non-screw-base connection preserves the high efficacy rating and prevents use of low efficacy incandescent sources (see LED Module specifications).

Caution

Connection is rated for 120V and 277V input. Installer must verify LED module voltage is compatible with the applicable voltage input. If uncertain, consult a qualified electrician.

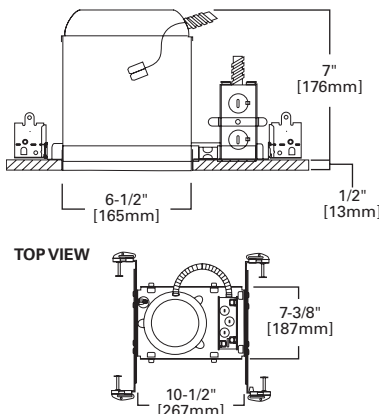
Labels

- UL/cUL Listed 1598 Luminaire
- CE Marking - "Conformité Européenne" conformity with the Council of European Communities Directives, meeting internationally recognized compliance when used with ML5606xx and ML5609xx LED modules
- UL/cUL Listed for Feed Through
- UL/cUL Listed for Damp Location
- UL/cUL Listed for Wet Location with select trims
- UL/cUL Listed for direct contact with insulation and combustible material*
- Rated for 20W maximum

Qualification

May be used with qualified Halo LED modules and designated trims for High Efficacy Luminaire Compliance:

- State of California Title 24
- International Energy Conservation Code (IECC)
- Washington State Energy Code
- New York State Energy Conservation Construction Code - AIR-TITE™ Compliant
- Certified under ASTM-E283 standard for air-tight construction



H750ICAT

6" New Construction IC AIR-TITE™ Housing For Halo LED Modules and Trims

- ML56 Series
- RL56 Series
- ML7 Series

High Efficacy LED Housing

FOR USE IN INSULATED CEILINGS FOR DIRECT CONTACT WITH INSULATION*



Qualified and compliant with select trims. Refer to ENERGY STAR® Qualified Products List and CEC (T24) Appliance Database for listings.

* Not to be used in direct contact with spray foam insulation.

ORDERING INFORMATION - RL56 SERIES

SAMPLE NUMBER: H750ICAT - RL560WH
Order housing, light module, trim and separately.

| Housing | RL56 LED - 5" Compatible LED Retrofit Modules |
|--|--|
| H750ICAT = 6" Aperture, New Construction, IC AIR-TITE™, High Efficacy LED Housing | RL560WH = 5"/6" LED Retrofit Baffle-Trim, White Baffle & Trim, 3000K RL560WH6827 = 5"/6" LED Retrofit Baffle-Trim, White Baffle & Trim, 2700K RL560SN = 5"/6" LED Retrofit Baffle-Trim, Satin Nickel Baffle & Trim, 3000K RL560SN6827 = 5"/6" LED Retrofit Baffle-Trim, Satin Nickel Baffle & Trim, 2700K |

ORDERING INFORMATION - ML56 SERIES

SAMPLE NUMBER: H750ICAT - ML5606830 - 693WB
Order housing, light module, trim and separately.

| Housing | ML56 LED Light Modules | ML56 LED Trims | ML56 System Accessories |
|--|---|---|--|
| H750ICAT = 6" Aperture, New Construction, IC AIR-TITE™, High Efficacy LED Housing | <p>600 Series / 80 CRI ML5606827= 5"/6" LED Retrofit Downlight Light Module, 600 lumen, 80CRI, 2700K ML5606830= 5"/6" LED Retrofit Downlight Light Module, 600 lumen, 80CRI, 3000K ML5606835= 5"/6" LED Retrofit Downlight Light Module, 600 lumen, 80CRI, 3500K ML5606840= 5"/6" LED Retrofit Downlight Light Module, 600 lumen, 80CRI, 4000K</p> <p>600 Series / 90 CRI ML5606927= 5"/6" LED Retrofit Downlight Light Module, 600 lumen, 90CRI, 2700K ML5606930= 5"/6" LED Retrofit Downlight Light Module, 600 lumen, 90CRI, 3000K ML5606935= 5"/6" LED Retrofit Downlight Light Module, 600 lumen, 90CRI, 3500K ML5606940= 5"/6" LED Retrofit Downlight Light Module, 600 lumen, 90CRI, 4000K</p> <p>900 Series / 80 CRI ML5609827= 5"/6" LED Retrofit Downlight Light Module, 900 lumen, 80CRI, 2700K ML5609830= 5"/6" LED Retrofit Downlight Light Module, 900 lumen, 80CRI, 3000K ML5609835= 5"/6" LED Retrofit Downlight Light Module, 900 lumen, 80CRI, 3500K ML5609840= 5"/6" LED Retrofit Downlight Light Module, 900 lumen, 80CRI, 4000K</p> <p>900 Series / 90 CRI ML5609927= 5"/6" LED Retrofit Downlight Light Module, 900 lumen, 90CRI, 2700K ML5609930= 5"/6" LED Retrofit Downlight Light Module, 900 lumen, 90CRI, 3000K ML5609935= 5"/6" LED Retrofit Downlight Light Module, 900 lumen, 90CRI, 3500K ML5609940= 5"/6" LED Retrofit Downlight Light Module, 900 lumen, 90CRI, 4000K</p> | <p>690 Series - 6" LED Trims Non-Conductive "Dead Front" Baffles 691WB=6" LED Trim, Polymer "Dead-Front", Shallow White Baffle & Flange (For use with 600 Series LED Light Modules only)</p> <p>Reflectors 692SC=6" LED Downlight Trim, Specular Reflector & White Flange 692H=6" LED Downlight Trim, Haze Reflector & White Flange 692W=6" LED Downlight Trim, White Reflector & Flange</p> <p>Baffles 693WB=6" LED Downlight Trim, White Micro-Step Baffle & Flange 693BB=6" LED Downlight Trim, Black Micro-Step Baffle & Flange 693SNB=6" LED Downlight Trim, Satin Nickel Micro-Step Baffle & Flange 693TBZB=6" LED Downlight Trim, Tuscan Bronze Micro-Step Baffle & Flange</p> <p>Semi-Regressed Eyeballs 694WB=6" LED Directional Trim, White Eyeball, Baffle & Flange 694SNB=6" LED Directional Trim, Satin Nickel Eyeball, Baffle & Flange 694TBZB=6" LED Directional Trim, Tuscan Bronze Eyeball, Baffle & Flange</p> <p>Wall Wash 695WW=6" LED Downlight Trim, Wall Wash with Specular Kick Reflector & White Flange</p> <p>Shallow Baffle 696WB=6" LED Trim, White Shallow Baffle & Flange</p> | <p>ML56CLIP= Friction Clip Kit - For use with non-torsion spring housings. 5" and 6" clips included.</p> <p>WW6955C= Wall Wash Insert - Specular Kick Reflector for 695WW (1 included with trim). For double wall washing or replacement.</p> <p>TRM690WH=6" LED Oversize Trim Ring for use with 59" series trims, White 6.9" I.D., 9.5" O.D. Ring slips over LED trim. Inset design allows 6" trim to fit into oversize ring for an even trim surface</p> <p>EBA560PK= Replacement screwbase adapter to LED disconnect with cap</p> |

ORDERING INFORMATION - ML7 SERIES

SAMPLE NUMBER: H750ICAT - ML706827 - 494WB06
 Order housing, light module, trim and separately.

| Housing | LED Module | Color Temperature (Nominal CCT) | Ceiling and Dimming Type |
|--|--|--|---|
| H750ICAT = 6" Aperture, New Construction, IC AIR-TITE™, High Efficacy LED Housing | ML7068 =6" LED Module, 600 Series, 80 CRI ML7098 =6" LED Module, 900 Series, 80 CRI | 27 =2700K 30 =3000K 35 =3500K 40 =4000K | ML7 LED 600 Series Modules [Blank] =ICAT Listed, 120V Module with Standard 120V Dimming Capability ML7 LED 900 Series Modules ICAT120D =ICAT Listed, 120V Module with Standard 120V Dimming Capability |

| Trim Options ¹ | Accessories |
|---|--|
| <p>Baffle Open Baffle, OD: 7-1/4" (184mm) 494WB06=White Baffle, White Trim Ring</p> <p>Solite® Regressed Glass Lens Baffle, OD: 7-1/4" (184mm) 493BBS06=Black Baffle with Solite® Lens, White Trim Ring, Shower Rated 493WBS06=White Baffle with Solite® Lens, White Trim Ring, Shower Rated</p> <p>Lensed Frosted Regressed Glass Lens, OD: 7-1/4" (184mm) 492PS06=White Baffle with Frost Lens and White Trim Ring, Shower Rated</p> <p>Reflector Open Reflector, OD: 7-1/4" (184mm) 494H06=Haze Reflector, White Trim Ring 494P06=White Reflector, White Trim Ring 494SC06=Specular Clear Reflector, White Trim Ring</p> <p>Solite® Regressed Glass Lens Reflector, OD: 7-1/4" (184mm) 493HS06=Haze Reflector with Solite® Lens, White Trim Ring, Shower Rated 493PS06=White Reflector with Solite® Lens, White Trim Ring, Shower Rated 493SCS06=Specular Clear Reflector with Solite® Lens, White Trim Ring, Shower Rated 493SNS06=Satin Nickel Reflector with Solite® Lens, Satin Nickel Trim Ring, Shower Rated 493TBZS06=Tuscan Bronze Reflector with Solite® Lens, Tuscan Bronze Trim Ring, Shower Rated</p> <p>Wall Wash 495WW06=Wall Wash with Semi-specular Clear Reflector, Specular Kick Reflector and Lens, White Trim Ring</p> | <p>Designer Trim Rings TRM490BK=Thin Profile Black Die-cast Trim Ring TRM490PC=Thin Profile Polished Chrome Die-cast Trim Ring TRM490SN=Thin Profile Satin Nickel Die-cast Trim Ring TRM490TBZ=Thin Profile Tuscan Bronze Die-cast Trim Ring TRM490WH=Thin Profile Matte White Die-cast Trim Ring</p> <p>Over-Optic Lenses 494OPTIC=6" Over-Optic Diffuse Polymer Lens for Use with Open LED Trims, Shower Rated (494 family)</p> <p>Over-size Trim Rings OT400P=Over-size White Metal Trim Ring, 6" I.D. x 9-1/4" O.D. OT403P=Over-size White Plastic Trim Ring, 6" I.D. x 8" O.D. OT490WH=Over-size White Die-cast Trim Ring, 6" I.D. x 9-1/4" O.D. (Attaches to LED module. Substitute for standard trim ring shipped with trims.)</p> <p>Retrofit ML7RAB=ML7 Retrofit adapter band kit - 4 pack (4 rings, 16 screws and 8 lever nuts). HE26LED=Replacement screwbase adapter to LED disconnect HE26LED24PK=Replacement screwbase adapter to LED disconnect, 24 pack - bulk</p> |

Refer to Halo LED Module specification sheets for additional information.
 Solite® is a registered trademark of AGC Flat Glass North America.

Note: Specifications and Dimensions subject to change without notice.
 Visit our web site at www.cooperlighting.com

Customer First Center 1121 Highway 74 South Peachtree City, GA 30269 770.486.4800 FAX 770 486.4801
 Cooper Lighting 5925 McLaughlin Rd. Mississauga, Ontario, Canada L5R 1B8 905.507.4000 FAX 905.568.7049